



5065
Product



The compact genius among wheel loaders

Compact and manoeuvrable wheel loaders for various applications with performance hydraulics power flow (option). With an optimised power to weight ratio, low shipping weight and continuous high payload, the efficiency of this model series is of great benefit to end users.

- One-piece frame and all-wheel steering
- Hydraulic quick coupler system and parallel-controlled loading system
- Spacious cabin with perfect all-round visibility
- Efficient drive and low operating costs
- Versatility through third control circuit and power flow



Technical specifications

Operating data

Bucket capacity (standard bucket)	0,65 m ³
Operating weight	3.800 kg

Engine / Motor

Engine / Motor manufacturer	Yanmar
Engine performance	35 kW
Emission standards stage (standard)	IIIA

Power transmission

Traction drive	Continuously variable, hydrostatic axial piston transmission
Travel speed (standard)	20 km/h
Travel speed (optional)	30 km/h
Standard tires	12.0-18
Differential lock	100% connectable
Max. steering angle	2x38 °

Steering and operating hydraulics

Max. pump discharge capacity	56 l/min
Max. pump pressure	235 bar
Max. Powerflow discharge capacity	90 l/min

Kinematics

Design system	Parallel kinematics
Tipping load (with bucket)	2.340 kg
Payload (S=1.25)	1.750 kg
Tilt-in angle	45 °
Tip-out angle	42 °

Filling capacities

Fuel tank	60 l
Hydraulic oil tank	58 l

Sound emission

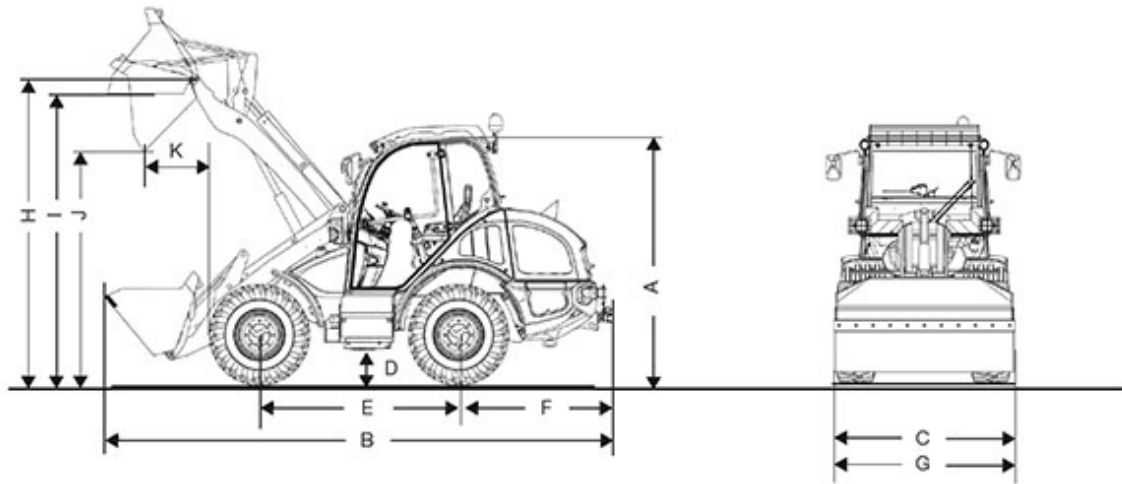
Vibrations

Battery

Additional technical data is available in the detailed brochure in the informational material section



Dimensions



A	Height	2.390 mm
B	Length	4.950 mm
C	Width	1.595 mm
D	Ground clearance	280 mm
E	Wheelbase	1.850 mm
	Center of front axle to tip of teeth	1.780 mm
F	Center of rear axle to end of vehicle	1.320 mm
G	Bucket width	1.650 mm
H	Bucket pivot point	3.050 mm
I	Overhead loading height	2.900 mm



J	Dumping height	2.330 mm
K	Dump reach	300 mm
	Stack height	2.830 mm
	Turning radius (over tyres)	2.700 mm

Alle Angaben wurden mit folgender Bereifung ermittelt: 28 x 9.00 – 15

Please note

that product availability can vary from country to country. It is possible that information / products may not be available in your country. More detailed information on engine power can be found in the operator's manual; the stated power may vary due to specific operating conditions.

Subject to alterations and errors excepted. Applicable also to illustrations.

Copyright © 2017 Kramer-Werke GmbH.