

ATLAS

Material Handler 800MH

FAST. RELIABLE. VERSATILE.

800MH



75 - 95 t



256 kW (348 PS)



17,9 - 24,1 m



Technical specifications

FRONT EQUIPMENT

Max. horizontal reach	24 m (Boom 13 m + Stick 11 m)
Lifting capacity	8 t / 18 m (Boom 11 m + Stick 9 m)
Lifting capacity Heavy Lift	13 t / 12 m (Boom 11 m + Stick 9 m)
Main boom lengths, straight and banana boom	10 m / 11 m / 12 m / 13 m
Stick lengths	8 m / 9 m / 10 m / 11 m

DIESEL ENGINE

Type	AGCO POWER 84 AWI, Stage 3B / Tier 4i
Power	265 kW / 1 800 r/min
Displacement	8,4 l
Number of cylinders	6
Voltage	24 V
Batteries	2 x 220 Ah / 12V

ELECTRIC MOTOR WITH SOFT STARTER

Motor type	200 kW IEC cast iron motor 1500 rpm / 50 Hz or 1800 rpm / 60 Hz
Voltages	380 to 690 V as standard

HYDRAULIC SYSTEM

Oil flow, equipment and drive	2 x 430 l/min
Operating pressure max	330 bar
Operating pressure, drive max	350 bar
Oil flow swing closed loop system	400 l/min
Swing pressure, max.	270 bar
Max. swing speed	7,8 r/min
Swing torque	165 kNm

UNDERCARRIAGE WITH RUBBER TYRES

Weight without attachments	78 to 88 t depending on configuration
Heights	1,9 m / 3,0 m / 4,0 m / 5,0 m
Wheelbase	3 940 mm
Tyres	8 pcs 14.00-24 solid rubber
Service brakes	Drum brakes
Parking brake	Automatic wet multiple-disc brake
Drive speed	Max 8 km/h
Stabilizer pads	650 x 650 mm

UNDERCARRIAGE WITH TRACKS

Weight without attachments	75 to 95 t depending on configuration
Heights	1,9 m. Pylon: 3,0 m / 4,0 m / 5,0 m. Gantry: 6,1 m / 6,6 m.
Load carrying track length	6 430 mm
Track shoes	550 mm three-grouser / 670 mm flat / 920 mm flat
Drive speed	Max 4,3 km/h

UNDERCARRIAGE MOUNTED ON RAILS AND FIXED

According to customer specification.

REFILL CAPACITIES

Hydraulic oil reservoir	800 l
Fuel tank	870 l
AdBlue tank	80 l

Working equipment

OPERATOR'S CABIN

- Ergonomic air-cushioned seat
- Armrests
- Seat belt and seat heating
- Lumbar support
- Adjustable headrest
- Heating and air conditioning
- Floor and roof window
- Windshield wiper with intermittent function, washer

CONTROL SYSTEM

- Ergonomic, adjustable multi-function joysticks
- Drive and steering by one grip joystick
- All front equipment and attachment functions proportional
- Function speeds and ramps adjustable
- Electric end cushion boom, stick and cab elevator
- Precision mode
- Colour display 5.7" user interface
 - Operating data and gauges
 - Warning signals, illuminated pop up type symbols
 - Acoustic signal for critical alarms
 - Settings
 - Diagnostics
 - Log function
 - Instant power consumption
 - Periodic fuel or electric power consumption

SAFETY SYSTEM

- Overload and stability control with motion cut
- Cab collision prevention with motion cut
- Animated machine operation
- Attachment menu
- Can Open CAN-bus technology
- Colour display 5.7" user interface
- Load, reach and height information
- Adjustable operation limitations

STANDARD EQUIPMENT

- Load control valves on boom and stick cylinders including hose rupture valves
- Thermostat controlled hydraulic fans
- Capable full flow filters
- Second pressure adjustment for attachments
- Central lubrication system for front equipment
- Working lights, 4 underneath the cabin, 2 on boom and 2 on stick
- Outrigger piston rod protection
- Acoustic travel alarm
- Signal horn

OPTIONS

- Fixed cab positions
- Cab elevator N1-3000
- Cab elevator N2-4000
- LED working lights
- Camera under stick
- Rear view camera
- Beacon light travel alarm
- Loudspeaker
- Sun shades
- Radio with USB
- Automatic clamshell bucket levelling while closing
- By-pass fine filter 3 µm with water absorption
- Large by-pass fine filter with water absorption
- Second hydraulic function for attachment
- Engine preheating
- Hydraulic oil preheating
- Cab preheating
- Magnet generator 20/30 kW
- Additional fuel tanks, depending on configuration
- Large pads 650 x 1 550 mm, with spherical bearings
- Electric re-fuelling pump
- Biodegradable hydraulic oil
- Central lubrication system for swing bearing
- Central lubrication system for mobile undercarriage

ATLAS

ATLAS 800 MH

MAIN BOOM BOSSES

The bosses at the main boom are manufactured in high-tensile cast steel. The optimized design ensures stresses are evenly distributed throughout the boom box.

MAIN BOOM FOOT

Main boom foot is made of cast steel providing an extended service life in one of the most critical structural components of the machine. The heavy steel plates of the upperstructure frame extend all the way from front equipment pivot points to the counterweight providing an extremely rigid and strong upperstructure frame resulting in a longer service life.

STICK BOX

The box of the stick is made of two C-profiles and utilises fine-grain steel. The design allows the stick to be constructed with no welding seams in the high stress areas, making it light and extremely durable. Hydraulic lines are well protected inside the stick body.

CAB ELEVATOR

The cab elevator features independent vertical and horizontal movement to position the operator for maximum visibility of the loading process.

STICK FOOT & TIP

The stick foot and tip are high-tensile cast steel components. The use of cast steel in these high stress areas ensures the structure's strength, durability and long service life in the most demanding applications.

OPERATOR'S CABIN

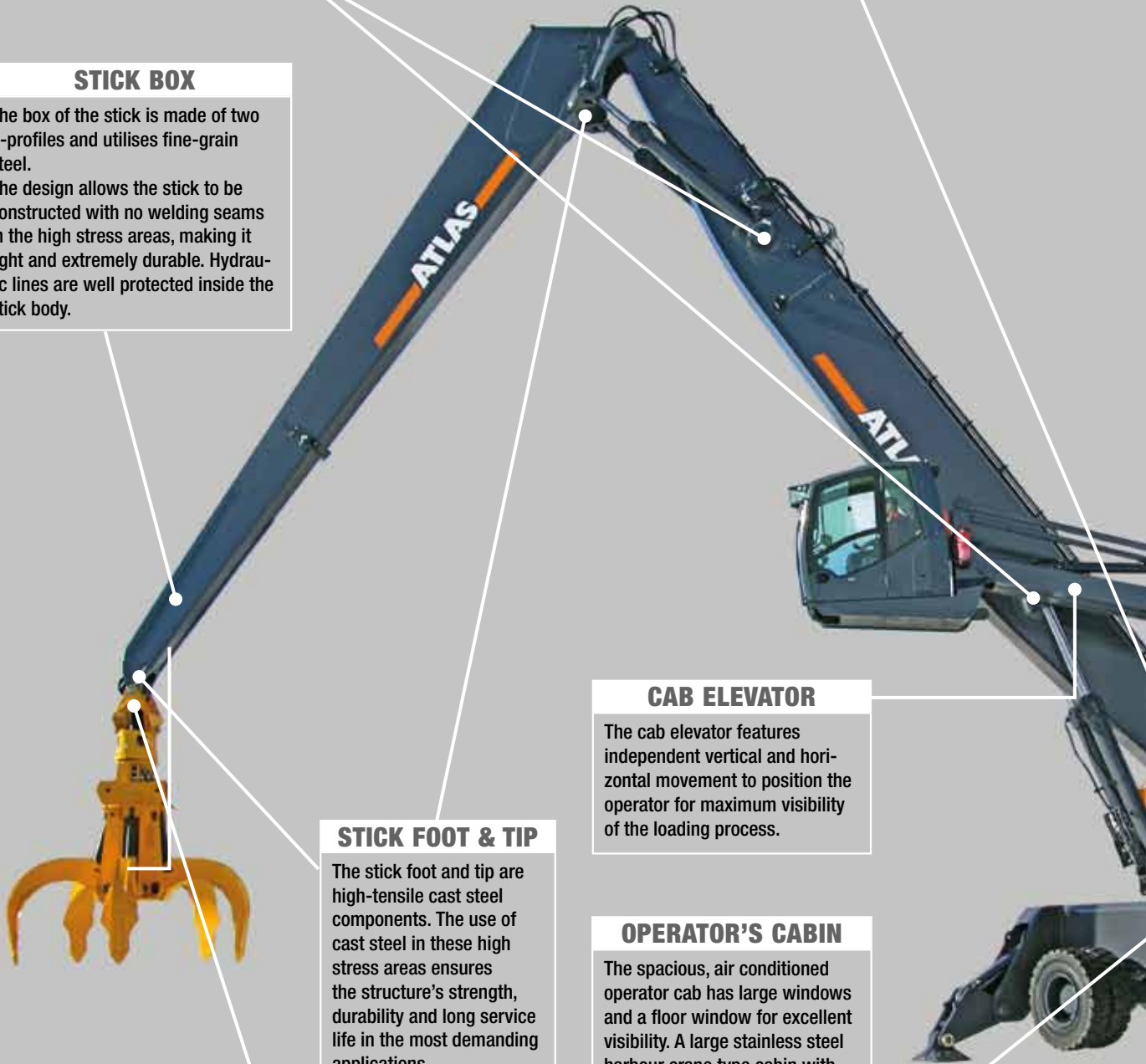
The spacious, air conditioned operator cab has large windows and a floor window for excellent visibility. A large stainless steel harbour crane type cabin with an additional instructor seat is available as an option.

WORK ATTACHMENTS

The machine can be delivered with a quick connecting system and wide variety of work attachments.

SWING MECHANISM

Swing mechanism consists of two swing gears and a heavy-duty three-row roller type slew ring with the internal teeth. The swing mechanism has a separate closed loop circuit pump providing an extremely smooth and controllable swing function safe and precise load placement. This system also provides a remarkable efficiency improvement over previous open loop systems.



800MH

ENGINE AND PUMPS

The engine and pumps are mounted longitudinally and are very easily accessible for service. The engine compartment is sound insulated thus keeping noise emissions to a minimum.

ELECTRICALLY POWERED MACHINE

Economical, ecological and silent 800E electric versions are available with various supply voltages and alternative undercarriage variants.

SERVICE WALKWAYS

The wide service walkways provide safe and easy access to all service points.

RADIATOR

Separately mounted radiator and hydraulic oil cooler provide easy access for general maintenance and cleaning. Fan reversing function keeps the coolers clean without interrupting the machine operation.

UNDERCARRIAGE OPTIONS

- Crawler
- Rubber tyred
- Rail mounted
- Fixed mounted

RUBBER TYRED UNDERCARRIAGE

The height of the mobile undercarriage can be chosen tailored to suit varying applications. The four-wheel drive provides a good drawbar pull and facilitates operation on uneven surfaces. The extra wide and large solid rubber tyres reduce ground pressure to a minimum.

Four individually controllable outriggers permit a full 360 degree of lifting. The optional large 700 x 1.250 mm stabilizer pads are equipped with spherical bearings to adapt to the ground and to reduce surface pressure.

CRAWLER UNDERCARRIAGE

The robust undercarriage is available in different heights. In gantry version the undercarriage allows trucks or railcars to pass through for direct loading. Additional fuel tanks are available as an option.

The stable and durable undercarriage allows 360 degree of lifting.

The flat track shoes run smoothly on gravel, asphalt and concrete surfaces.

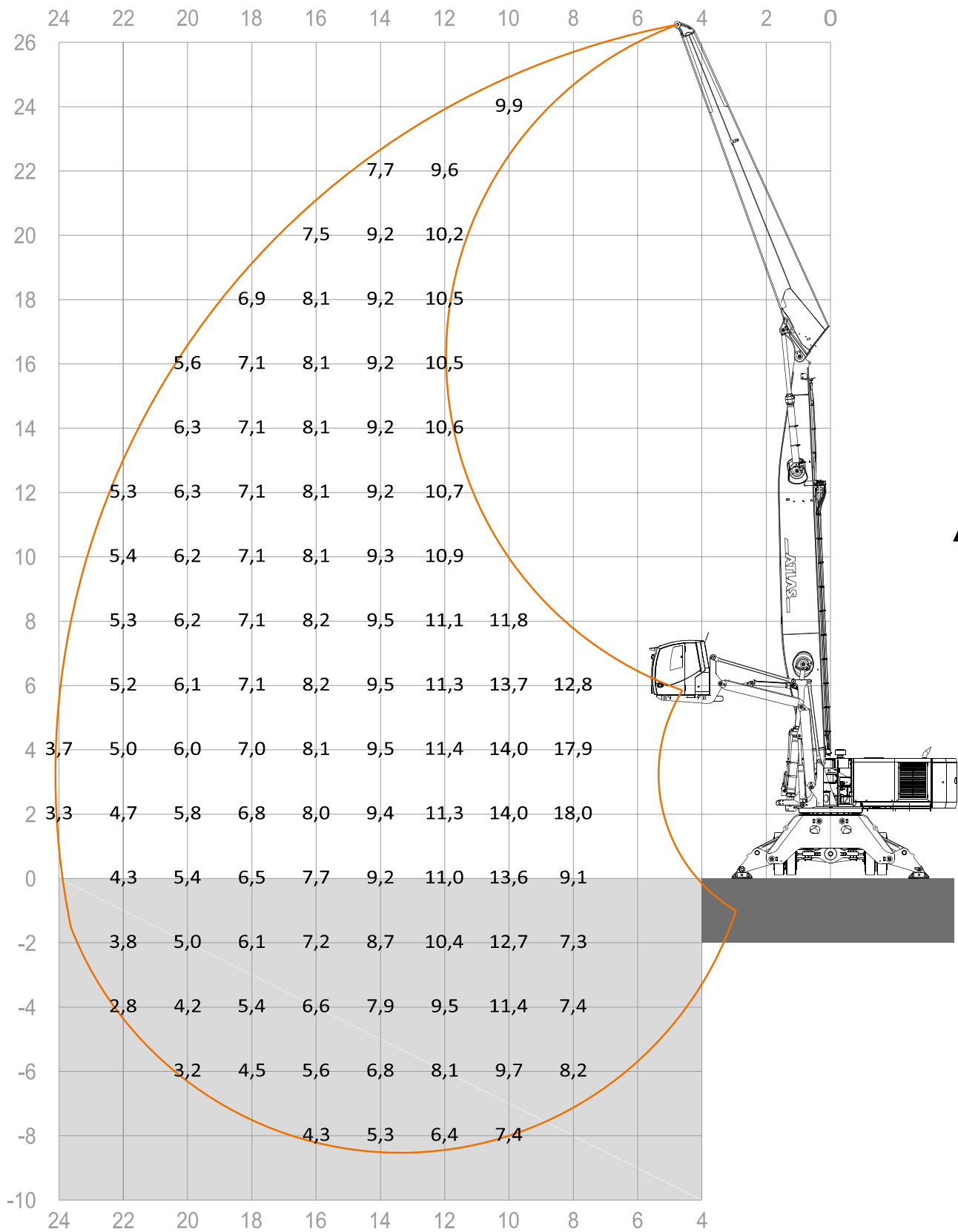


RAIL UNDERCARRIAGE

The configuration of the rail undercarriage can be adapted to existing rails. High gantry versions allow one or two railroad wagons to pass through the machine. Cable reels are available to meet requirements of drive distance and speed.

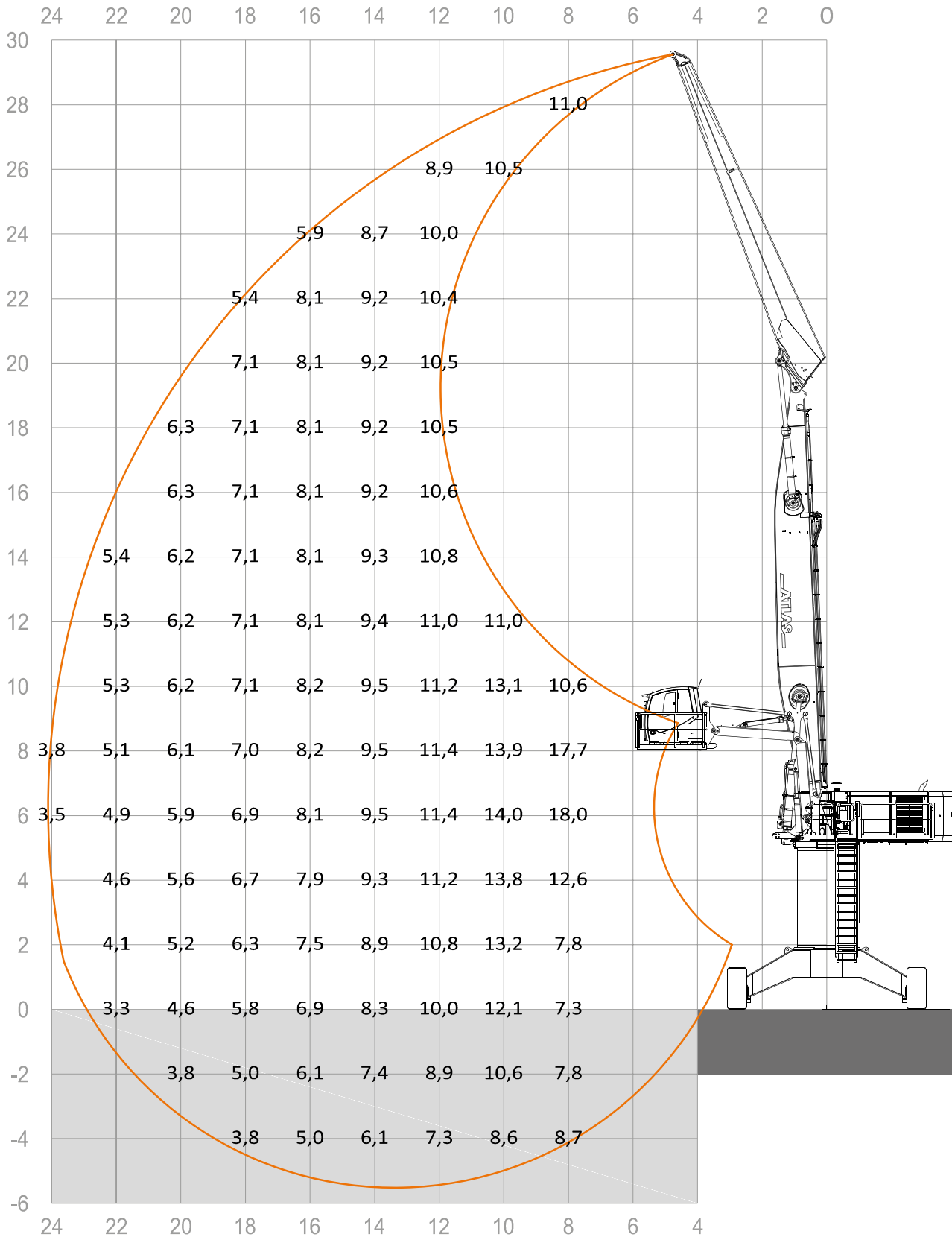


Lifting Capacities Loading boom 13,00 m straight with Stick 11,0 m



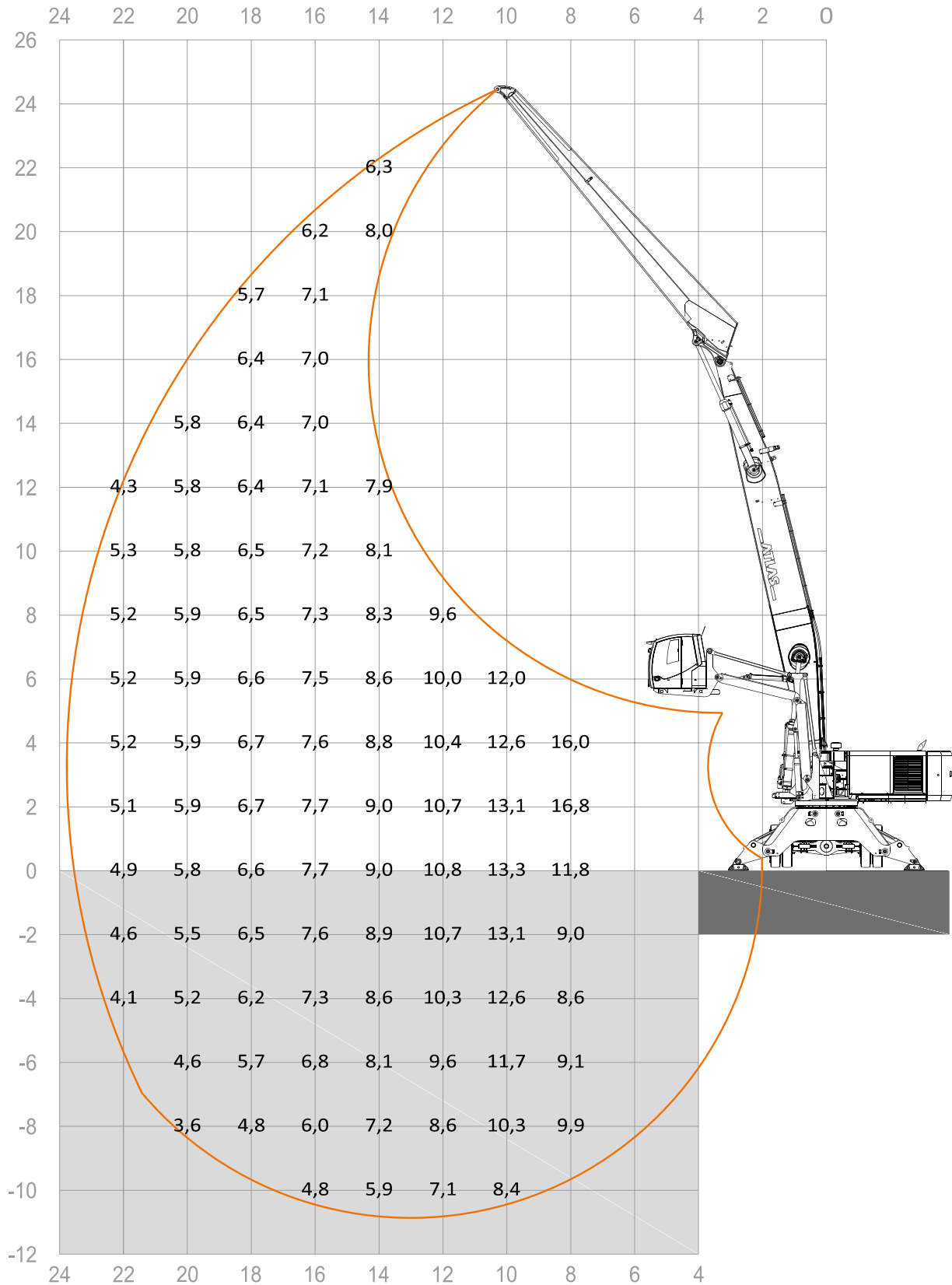
The lift capacities are stated in metric tonnes (t) at the end of the stick and are valid when the machine is used on a horizontal surface, within 360° swing area and without loading attachment. Outriggers down. All values limited due to hydraulics. Indicated loads are based on standard ISO 10567 and do not exceed 75 % of tipping load nor 87 % of calculative hydraulic capacity.

Lifting Capacities Loading boom 13,00 m straight with Stick 11,0 m



The lift capacities are stated in metric tonnes (t) at the end of the stick and are valid when the machine is used on a horizontal surface, within 360° swing area and without loading attachment. Outriggers down. All values limited due to hydraulics. Indicated loads are based on standard ISO 10567 and do not exceed 75 % of tipping load nor 87 % of calculative hydraulic capacity.

Lifting Capacities Loading banana boom 13,00 m with Stick 11,0 m



The lift capacities are stated in metric tonnes (t) at the end of the stick and are valid when the machine is used on a horizontal surface, within 360° swing area and without loading attachment. Outriggers down. All values limited due to hydraulics. Indicated loads are based on standard ISO 10567 and do not exceed 75 % of tipping load nor 87 % of calculative hydraulic capacity.

800MH



STANDARD CABIN



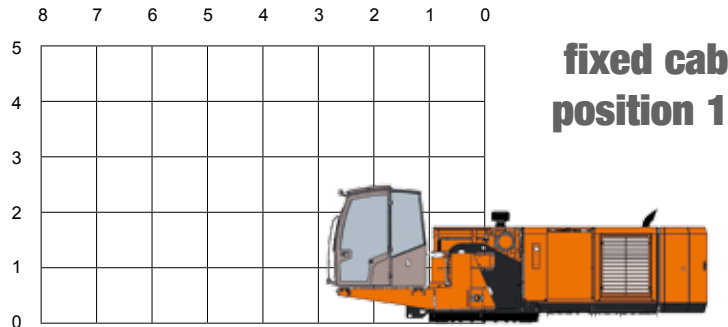
MULTI PROPORTIONAL STEERING



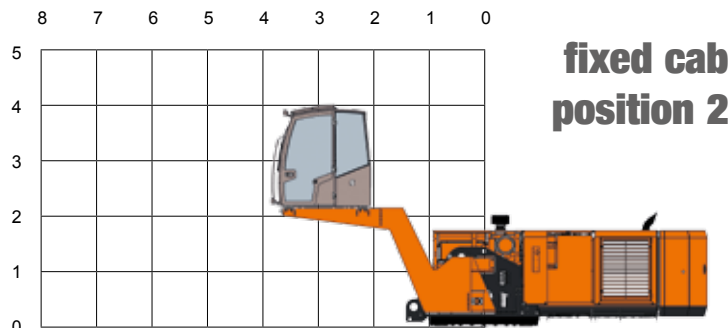
CONTROL SYSTEM



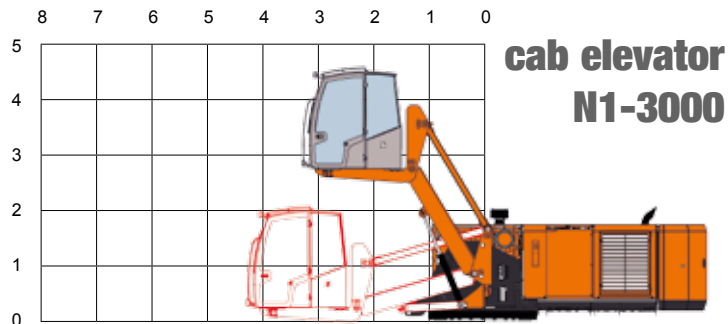
SAFETY SYSTEM



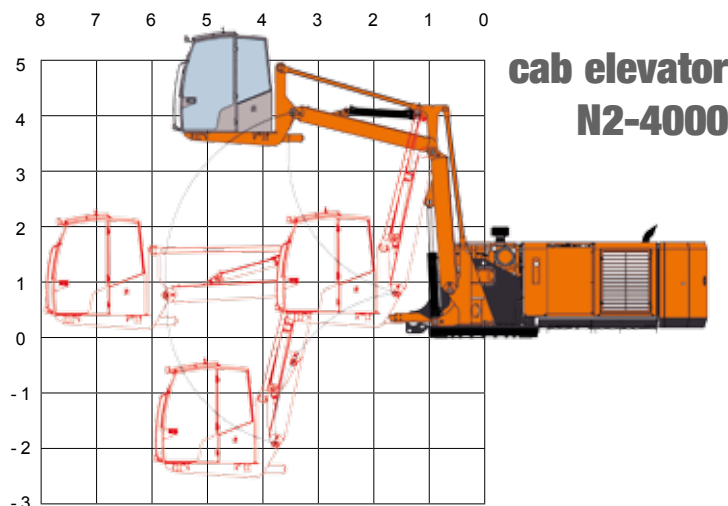
fixed cab position 1



fixed cab position 2

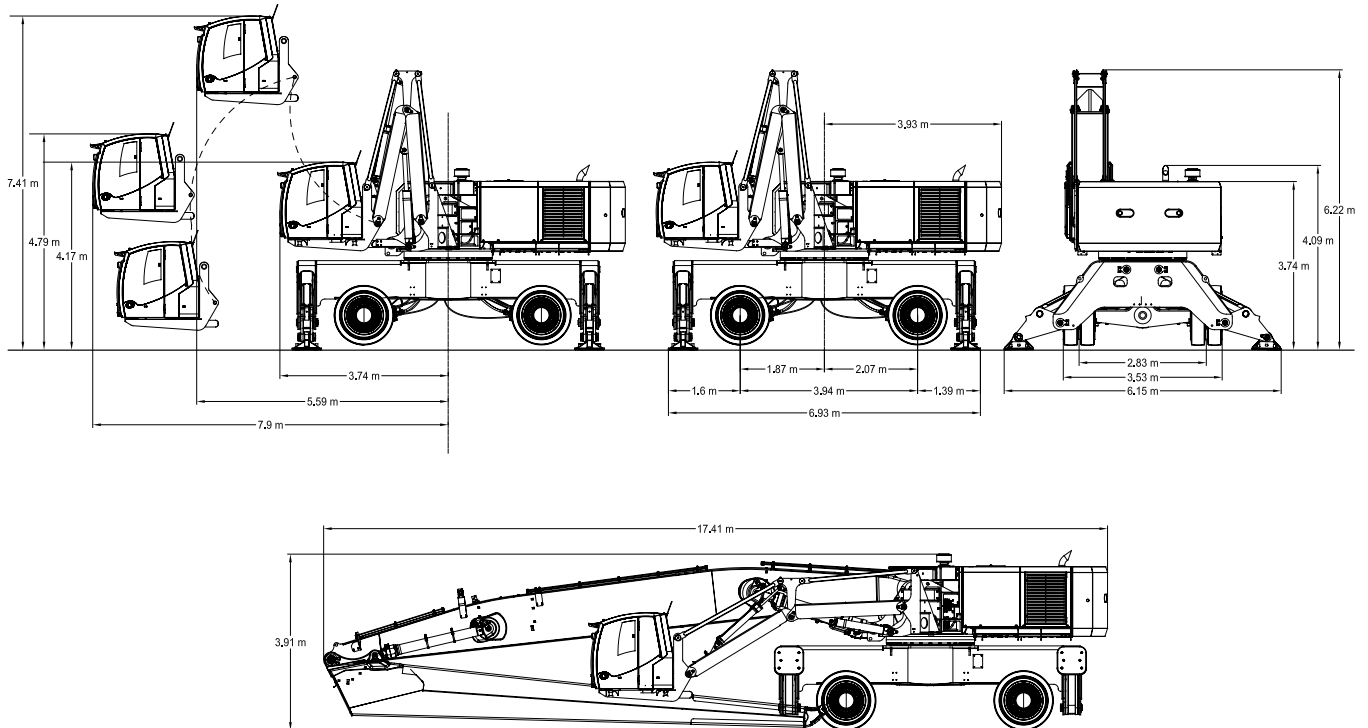


cab elevator N1-3000

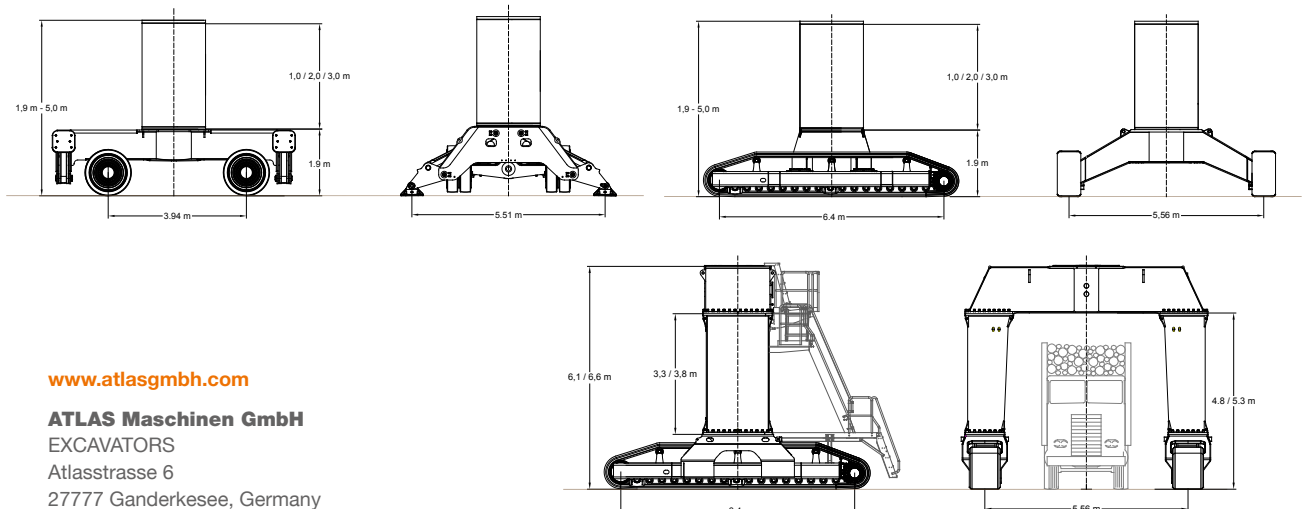


cab elevator N2-4000

Dimensions



Example of available undercarriage



www.atlasgmbh.com

ATLAS Maschinen GmbH
 EXCAVATORS
 Atlasstrasse 6
 27777 Ganderkesee, Germany
 T: +49 (0) 4222 954 0
 F: +49 (0) 4222 954 343
 info@atlasgmbh.com

800MH-EN (1) Effective date: April 2013. Product specifications and prices are subject to change without notice or obligation. The photographs and/or drawings in this document are for illustrative purposes only. Refer to the appropriate Operator's Manual for instructions on the proper use of this equipment. Failure to follow the appropriate Operator's Manual when using our equipment or to otherwise act irresponsibly may result in serious injury or death. The only warranty applicable to our equipment is the standard written warranty applicable to the particular product and sale and Atlas makes no other warranty, express or implied. The only warranty applicable to our equipment is the standard written warranty applicable to the particular product and sale and Atlas makes no other warranty, express or implied. Products and services listed may be trademarks, service marks or trade-names of Atlas Maschinen GmbH and/or its subsidiaries. All rights are reserved. Atlas® is a registered trademark of Atlas Maschinen GmbH. Copyright © 2013 Atlas Maschinen GmbH.