




# ATLAS

SINCE 1919

**STABLE.  
STRONG.  
STEADY.**

-  33.3 - 36 t
-  180 kW (245 hp)
-  13.5 - 18.2 m<sup>3</sup>



## **MATERIAL HANDLING MACHINE 350MH**

[WWW.ATLASGMBH.COM](http://WWW.ATLASGMBH.COM)

# TECHNICAL SPECIFICATION 350MH

## Technical Specification

### ENGINE

Power according to ISO 14396...180 kW (245 PS)	Cylinder capacity.....6100 cm <sup>3</sup>	Air filter .....Dry air filter
RPM.....1800/min	Number of cylinders.....6	Battery .....2x12V/143Ah
Make.....Deutz TCD 6.1 L6 (Tier 4 Final)	Borehole/lift.....101/126	Alternator .....28V/100Ah
Design.....Turbocharger / intercooler	Cooling system.....Water-cooled	Starter.....24 V / 5.5 kW

### HYDRAULIC SYSTEM

<ul style="list-style-type: none"> <li>• AWE 4 system (load sensing)</li> <li>• Load-limit-controlled high-performance piston pumps</li> <li>• Fuel-efficient required power regulation</li> <li>• Sensitive, proportional, independent control</li> <li>• Primary and secondary protection against overload</li> </ul>	<ul style="list-style-type: none"> <li>• Suction valves for all work functions</li> <li>• Load-retaining and fine-drop valve in lifting circuit</li> <li>• Pipe-break protection valves for lifting cylinders</li> <li>• Grab and grab-rotating function</li> <li>• 2 additional circuits for additional consumer loads possible</li> </ul>	<ul style="list-style-type: none"> <li>• Temperature-controlled fan for cooler</li> <li>• Max. oil flow.....660 l/min</li> <li>• Max. operating pressure.....320 bar</li> <li>• Operating modes: 3 pre-programmed modes (Fine, Eco, Power) (Power-boost mode)</li> </ul>
---	---	--

### SWING ASSEMBLY

• Swing motor:	Axial piston motor with priority valve	• Max. swing speed.....8.5/min
• Swing gear:	Planetary transmission	• Swing torque.....93.4kNm
• Swing brakes:	Manuell multidisc brake via pedal	

### TRACTION DRIVE AND BRAKES

• Variable displacement motor	• Maximum speed .....20 km/h	• Dual circuit brake system.....Multi-disc
• 2-gear transmission	• Terrain speed .....5 km/h	
• Double-acting brake valve	• Crawling speed.....1 km/h	• Parking brake.....spring-loaded brake
• Driving direction pre-selection via lever at steering-wheel		

### UNDERCARRIAGE

• 56 t special excavator axles	• Steering axle with automatic oscillating axle blocking	• 8 tyres .....12.00 - 20
--------------------------------	--	---------------------------

### FILL CAPACITIES

• Fuel tank .....425 Liter	• Engine oil ..... 21 Liter	• Hydraulics system.....970 Liter
• Cooling system ..... 48 Liter	• Hydraulic tank ..... 505 Liter	

### DRIVER'S CAB

<ul style="list-style-type: none"> <li>• Meets latest safety standards</li> <li>• Extra-wide entrance</li> <li>• Spacious leg room</li> <li>• Excellent circumferential visibility</li> <li>• Preparation for radio installation</li> </ul>	<p><b>CONTROL:</b></p> <ul style="list-style-type: none"> <li>• Ergonomic pilot lever</li> <li>• Slim steering column, height and tilt adjustable</li> <li>• Clear and concise arrangement of control switches</li> </ul>	<p><b>SOUND LEVELS:</b></p> <ul style="list-style-type: none"> <li>• ISO 6396 (LpA) in driver's cab.....70 dB(A)</li> <li>• 2000/14EG (LwA) based on ambience level.....103 dB(A)</li> </ul>
	<p><b>CLIMATE CONTROL:</b></p> <ul style="list-style-type: none"> <li>• Climatronic standard in all models</li> <li>• Very good air distribution</li> </ul>	
<p><b>DRIVER'S SEAT:</b></p> <ul style="list-style-type: none"> <li>• Air-cushioned comfort seat (optional seat heating)</li> <li>• Arm rests and lumbar support</li> <li>• Seat adjustable separately from console</li> </ul>		

# WORKING EQUIPMENT 350MH

## Working Equipment

OPERATING HEIGHTS			
	LOADING BOOM 8.70 m (C84.5i)		LOADING BOOM 10.60 m (C84.7i)
	Stick 5.50 m (D84.15i)	Stick 6.90 m (D84.16i)	Stick 7.75 m (D84.17i)
4 outriggers	33.2 t	33.5 t	34.3 t

Operating weight with driver, solid rubber tyres, completely filled implement and 1.5 t for attachments

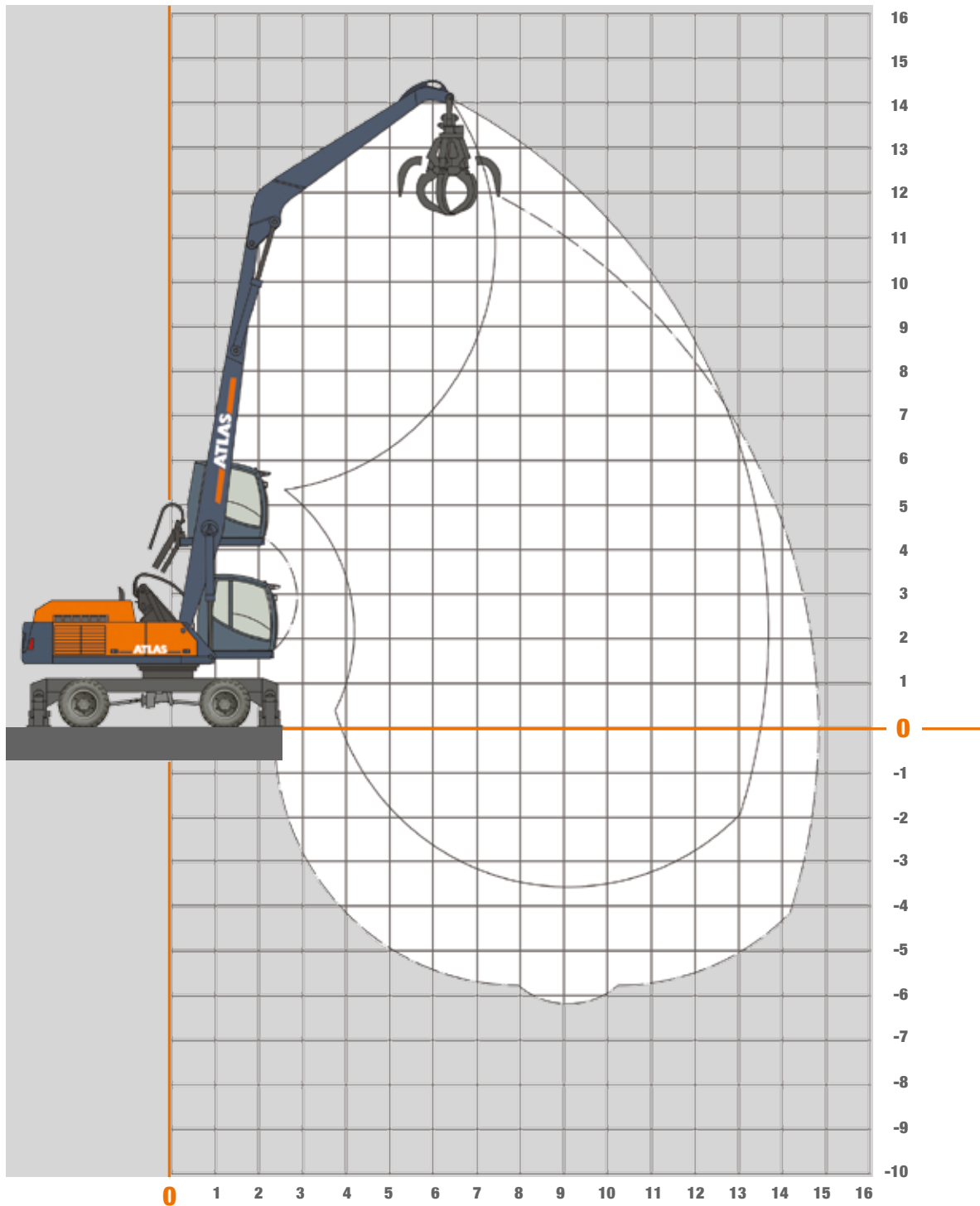
EQUIPMENT		
<b>BASIC DEVICE ATLAS 350MH</b>		
<ul style="list-style-type: none"> <li>350MH material handler with quadruple outrigger support and 2 lifting cylinders (A 84.32)</li> </ul>	<b>Standard equipment:</b> <b>Engine:</b> <ul style="list-style-type: none"> <li>Automatic idle</li> <li>Diesel pre-filter</li> <li>Engine monitoring</li> <li>Diesel particulate filters</li> </ul>	<b>Cab:</b> <ul style="list-style-type: none"> <li>Air conditioning with automatic control</li> <li>Preparation for radio installation</li> <li>Slim steering column, height and tilt adjustable</li> <li>Seat adjustable separately from console</li> </ul>
<b>Booms:</b> <ul style="list-style-type: none"> <li>Loading boom 8.70 m (C84.5i) (C84.6i)</li> <li>Loading boom 10.60 m (C84.7i)</li> <li>Loading boom 11.60 m (C84.8i)</li> </ul>	<b>Hydraulics:</b> <ul style="list-style-type: none"> <li>Grab and grab-rotating function</li> <li>Accumulator for emergency lowering of the arm system</li> <li>Pipe break protection valves for lifting cylinders</li> <li>Overload warning device</li> <li>Cylinder end-position damping</li> <li>Electrical central lubrication</li> </ul>	<b>Equipment:</b> <ul style="list-style-type: none"> <li>Combined lubricating points for swing bearing and arm equipment</li> </ul>
<b>Sticks:</b> <ul style="list-style-type: none"> <li>Stick 5.50 m (D 84.15i)</li> <li>Stick 6.90 m (D 84.16i)</li> <li>Stick 7.70 m (D 84.17i)</li> <li>Stick 9.0 m (D84.18i) (for loading boom 10.60 m only (C84.7i))</li> </ul>		<b>Undercarriage:</b> <ul style="list-style-type: none"> <li>Wet disc brakes</li> </ul>
*further executions on request		

ADDITIONAL EQUIPMENT		
<b>Engine:</b> <ul style="list-style-type: none"> <li>Refueling pump</li> <li>Auxiliary heating</li> <li>Cold startup assistance</li> </ul>	<b>Cab:</b> <ul style="list-style-type: none"> <li>Cab protection guard</li> <li>Beacon light</li> <li>Heated driver's seat</li> <li>Radio CD/MP3, front AUX in, USB</li> <li>Lift Cab – 2.5 m elevation</li> <li>Vario cab can be elevated 2 m high and 2 m forwards</li> <li>Cab elevation 0.6 m / 1.20 m/ 1.50 m / 2 m</li> <li>Electric central lubrication system</li> <li>LED working lights</li> </ul>	<b>Undercarriage:</b> <ul style="list-style-type: none"> <li>Solid rubber tyres</li> <li>Tool box in the undercarriage</li> </ul>
<b>Hydraulics:</b> <ul style="list-style-type: none"> <li>Hydraulic kit, to operate front and rear supports separately</li> <li>Hydraulic kit, to operate supports per axle separately</li> <li>Bio oil</li> </ul>		<b>Other special equipment:</b> See price list

ATTACHMENTS		
<ul style="list-style-type: none"> <li>Clamshell grab</li> <li>Orange peel grab</li> </ul>	<ul style="list-style-type: none"> <li>Load hook</li> <li>Load lifting magnet</li> </ul>	<ul style="list-style-type: none"> <li>Log grab</li> </ul>

# WORKING RANGES 350MH

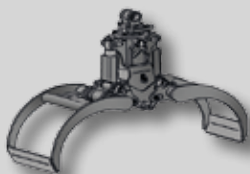
**Working ranges** Loading boom 8.70 m (C84.5i) and Stick 5.50 m (D84.15i)



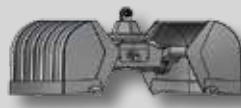
## Attachments



Load hook



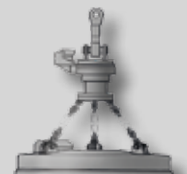
Log grab



Clamshell grab



Orange peel grab



Load lifting magnet

# LIFTING CAPACITIES 350MH

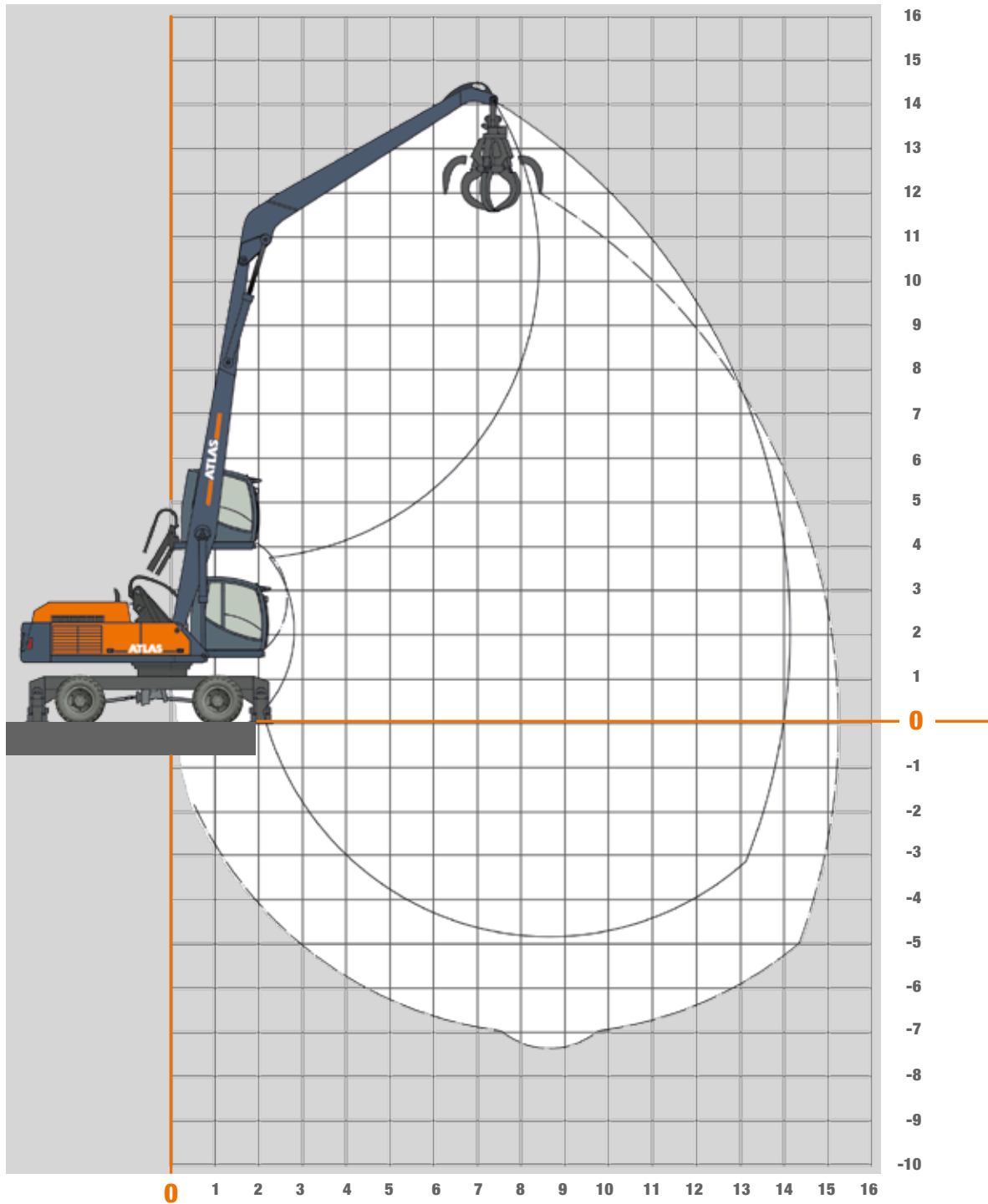
## Lifting Capacities Loading boom 8.70 m (C84.5i) and Stick 5.50 m (D84.15i)

Lifting Capacities, Loading boom 8.70 m (C84.5i) with Stick 5.50 m (D84.15i). Max. reach 14.81 m															
HEIGHT		4.5 m		6.0 m		7.5 m		9.0 m		10.5 m		12.0 m		13.5 m	
		FRONT	LATERAL	FRONT	LATERAL	FRONT	LATERAL	FRONT	LATERAL	FRONT	LATERAL	FRONT	LATERAL	FRONT	LATERAL
+13.5 m	outriggers down			10281	10281										
	outriggers up			10281	8168*										
+12.0 m	outriggers down					8520	8520	7591	7591						
	outriggers up					8520	5873*	6661*	4306*						
+10.5 m	outriggers down					8439	8439	7476	7476	6734	6528*				
	outriggers up					8439	5920*	6740*	4378*	5178*	3317*				
+9.0 m	outriggers down					8568	8568	7525	7525	6716	6547*				
	outriggers up					8568	5856*	6712*	4353*	5196*	3333*				
+7.5 m	outriggers down			10549	10549	8877	8877	7691	7691	6784	6492*	5820*	5213*		
	outriggers up			10549	8053*	8856*	5692*	6604*	4254*	5143*	3284*	4109*	2577*		
+6.0 m	outriggers down	14700	14700	11358	11358	9321	9321	7930	7930	6897	6387*	5770*	5164*		
	outriggers up	14700	11818*	11358	7618*	8566*	5435*	6431*	4097*	5042*	3191*	4061*	2533*		
+4.5 m	outriggers down	16672	16672	12287	12287	9804	9804	8181	7918*	6989*	6251*	5692*	5088*		
	outriggers up	16672	10599*	11591*	7035*	8196*	5108*	6214*	3900*	4911*	3071*	3988*	2464*		
+3.0 m	outriggers down	6721	6721	12995	12995	10171	10103*	8356	7675*	6838*	6103*	5604*	5001*	4699*	4189*
	outriggers up	6721	6721	10860*	6413*	7805*	4761*	5983*	3690*	4770*	2940*	3904*	2385*	3258*	1962*
+1.5 m	outriggers down	3346	3346	13080	13080	10247	9738	8359	7453*	6698*	5966*	5524*	4923*	4662*	4152*
	outriggers up	3346	3346	10276*	5915*	7463*	4458*	5772*	3499*	4638*	2819*	3828*	2315*	3222*	1929*
0 m	outriggers down			12397	12397	9915	9490	8109	7290*	6594*	5863*	5463*	4862*		
	outriggers up			9955*	5643*	7231*	4259*	5617*	3358*	4540*	2728*	3770*	2261*		
- 1.5 m	outriggers down			11023	11023	9116	9116	7530	7194*	6225	5800*	5051	4830*		
	outriggers up			9836*	5542*	7111*	4146*	5525*	3275*	4479*	2672*	3739*	2231*		
- 3.0 m	outriggers down							6553	6553						
	outriggers up							5496*	3249*						

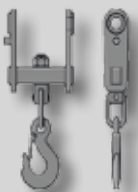
The specified max. loading capacities in kilogrammes (kg) include a stability of 33% or are calculated at 87% of the hydraulic lifting power, as per ISO10567. These values are applicable at the tip of the arm with optimum positioning of the corresponding arm system. \*Value limited due to excavator stability.. Weights of attached load carrying accessories (grab, magnet, load hook, etc.) are not included with the load carrying values.

# WORKING RANGES 350MH

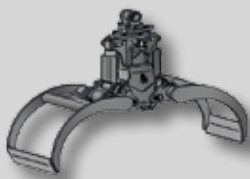
**Working ranges** Loading boom 8.70 m (C84.5i) and Stick 6.90 m (D84.16i)



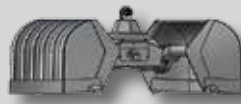
## Attachments



Load hook



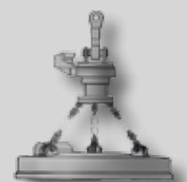
Log grab



Clamshell grab



Orange peel grab



Load lifting magnet

# LIFTING CAPACITIES 350MH

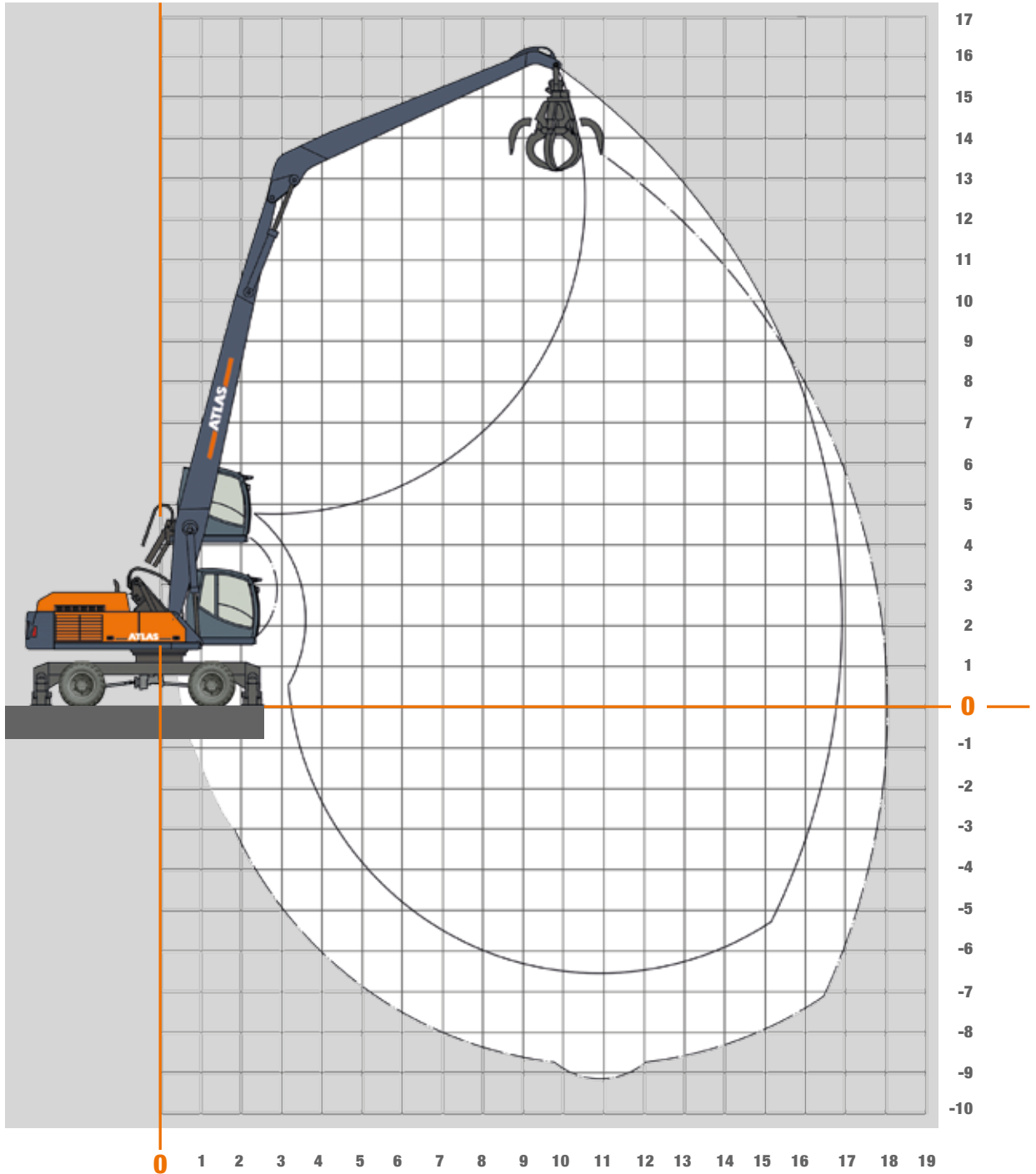
## Lifting Capacities Loading boom 8.70 m (C84.5i) and Stick 6.90 m (D84.16i)

Lifting Capacities, Loading boom 8.70 m (C84.5i) with Stick 6.90 m (D84.16i), Max. reach 15.90 m																
HEIGHT		4.5 m		6.0 m		7.5 m		9.0 m		10.5 m		12.0 m		13.5 m		
		FRONT	LATERAL	FRONT	LATERAL	FRONT	LATERAL	FRONT	LATERAL	FRONT	LATERAL	FRONT	LATERAL	FRONT	LATERAL	
+15.0 m	outriggers down															
	outriggers up															
+13.5 m	outriggers down					7868	7868	7068	7068							
	outriggers up					7868	6078*	6827*	4441*							
+12.0 m	outriggers down							6855	6855	6258	6258					
	outriggers up							6855	4570*	5328*	3442*					
+10.5 m	outriggers down							6804	6804	6186	6186					
	outriggers up							6804	4604*	5384*	3494*					
+9.0 m	outriggers down							6885	6885	6217	6217	5653	5362*			
	outriggers up							6885	4562*	5367*	3478*	4247*	2694*			
+7.5 m	outriggers down					8035	8035	7080	7080	6325	6325	5697	5324*	4858*	4343*	
	outriggers up					8035	6011*	6839*	4452*	5292*	3409*	4210*	2660*	3402*	2088*	
+6.0 m	outriggers down			10098	10098	8510	8510	7364	7364	6486	6486	5774	5247*	4822*	4307*	
	outriggers up			10098	8177*	8510	5748*	6648*	4279*	5170*	3296*	4136*	2590*	3368*	2056*	
+4.5 m	outriggers down	13180	13180	11122	11122	9079	9079	7689	7689	6665	6362*	5752*	5144*	4762*	4248*	
	outriggers up	13180	11812*	11122	7586*	8542*	5395*	6401*	4054*	5011*	3150*	4036*	2497*	3311*	2002*	
+3.0 m	outriggers down	16589	16589	12139	12139	9623	9623	7987	7832*	6815	6178*	5632*	5026*	4690*	4177*	
	outriggers up	16589	10354*	11436*	6877*	8084*	4989*	6123*	3802*	4835*	2987*	3922*	2391*	3242*	1937*	
+1.5 m	outriggers down	7527	7527	12792	12792	9982	9937*	8170	7545*	6732*	5995*	5513*	4909*	4620*	4108*	
	outriggers up	7527	7527	10643*	6202*	7639*	4595*	5850*	3554*	4659*	2825*	3809*	2285*	3175*	1874*	
0 m	outriggers down	5217	5217	12806	12806	10013	9549*	8151	7298*	6568*	5835*	5411*	4809*	4561*	4050*	
	outriggers up	5217	5217	10054*	5701*	7276*	4272*	5616*	3341*	4505*	2683*	3712*	2195*	3118*	1821*	
-1.5 m	outriggers down			12142	12142	9643	9296*	7870	7125*	6452*	5720*	5337*	4736*	4459	4011*	
	outriggers up			9730*	5425*	7038*	4062*	5451*	3192*	4396*	2581*	3642*	2129*	3080*	1785*	
-3.0 m	outriggers down			10838	10838	8821	8821	7256	7025*	6000	5652*	4912	4696*			
	outriggers up			9598*	5313*	6916*	3953*	5356*	3106*	4330*	2521*	3604*	2094*			
-4.5 m	outriggers down							6248	6248							
	outriggers up							5329*	3081*							

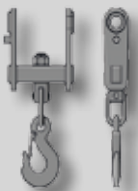
The specified max. loading capacities in kilogrammes (kg) include a stability of 33% or are calculated at 87% of the hydraulic lifting power, as per ISO10567. These values are applicable at the tip of the arm with optimum positioning of the corresponding arm system. \*Value limited due to excavator stability. Weights of attached load carrying accessories (grab, magnet, load hook, etc.) are not included with the load carrying values.

# WORKING RANGES 350MH

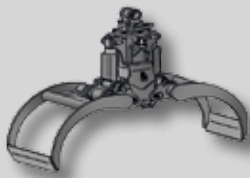
**Working ranges** Loading boom 10.60 m (C84.7i) and Stick 7.70 m (D84.17i)



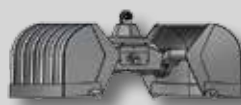
## Attachments



Load hook



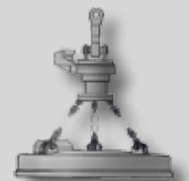
Log grab



Clamshell grab



Orange peel grab



Load lifting magnet



# LIFTING CAPACITIES 350MH

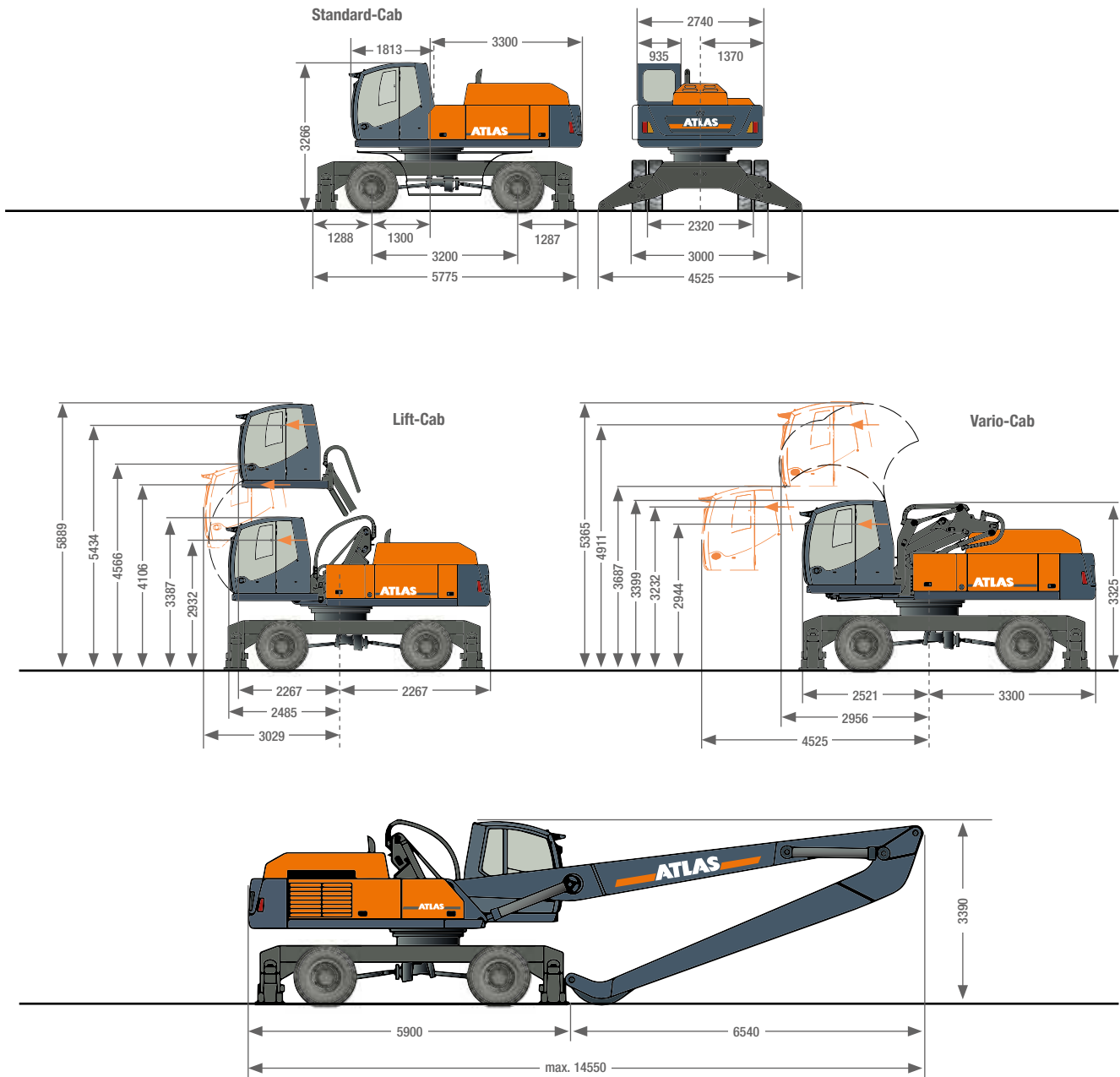
## Lifting Capacities Loading boom 10.60 m (C84.7i) and Stick 7.70 m (D84.17i)

HEIGHT		4.5 m		6.0 m		7.5 m		9.0 m		10.5 m		12.0 m		13.5 m		15.0 m		16.5 m	
		FRONT	LATERAL	FRONT	LATERAL	FRONT	LATERAL	FRONT	LATERAL	FRONT	LATERAL	FRONT	LATERAL	FRONT	LATERAL	FRONT	LATERAL	FRONT	LATERAL
+16.5 m	outriggers down																		
	outriggers up																		
+15.0 m	outriggers down									5108	5108								
	outriggers up									5108	3593*								
+13.5 m	outriggers down									5012	5012	4612	4612						
	outriggers up									5012	3680*	4395*	2810*						
+12.0 m	outriggers down									5001	5001	4583	4583	4238	4238				
	outriggers up									5001	3695*	4428*	2841*	3528*	2186*				
+10.5 m	outriggers down									5061	5061	4613	4613	4240	4240				
	outriggers up									5061	3649*	4404*	2818*	3530*	2189*				
+9.0 m	outriggers down							5800	5800	5183	5183	4689	4689	4281	4281	3931	3658*		
	outriggers up							5800	4664*	5183	3549*	4332*	2751*	3489*	2150*	2835*	1675*		
+7.5 m	outriggers down					7002	7002	6065	6065	5358	5358	4801	4801	4348	4348	3963	3615*		
	outriggers up					7002	6024*	6065	4448*	5307*	3396*	4218*	2645*	3414*	2080*	2793*	1635*		
+6.0 m	outriggers down			9052	9052	7517	7517	6391	6391	5568	5568	4936	4936	4429	4263*	3998*	3549*		
	outriggers up			9052	7952*	7517	5593*	6391	4161*	5093*	3199*	4071*	2508*	3314*	1985*	2729*	1575*		
+4.5 m	outriggers down	13791	13791	10156	10156	8084	8084	6739	6739	5788	5788	5075	5016*	4511	4142*	3916*	3469*	3326*	2931*
	outriggers up	13791	10750*	10156	7052*	8084	5064*	6178*	3821*	4844*	2969*	3901*	2349*	3197*	1875*	2650*	1500*	2210*	1193*
+3.0 m	outriggers down	1126	1126	11047	11047	8600	8600	7055	7055	5987	5929*	5196	4830*	4528*	4013*	3827*	3381*	3270*	2876*
	outriggers up	1126	1126	10544*	6067*	7573*	4497*	5782*	3461*	4582*	2727*	3721*	2181*	3072*	1757*	2565*	1419*	2156*	1142*
+1.5 m	outriggers down			4432	4432	8947	8947	7280	7098*	6127	5667*	5255*	4649*	4400*	3887*	3740*	3294*	3214*	2821*
	outriggers up			4432	4432	6991*	3982*	5409*	3123*	4331*	2496*	3546*	2018*	2950*	1642*	2480*	1339*	2102*	1090*
0 m	outriggers down			3053	3053	9041	8789*	7362	6772*	6172*	5440*	5091*	4488*	4285*	3773*	3660*	3216*	3167*	2774*
	outriggers up			3053	3053	6542*	3584*	5099*	2841*	4113*	2294*	3391*	1873*	2840*	1538*	2404*	1267*	2056*	1047*
- 1.5 m	outriggers down			3119	3119	7541	7541	7266	6531*	5991*	5262*	4959*	4358*	4193*	3682*	3600*	3157*		
	outriggers up			3119	3119	6248*	3323*	4870*	2633*	3942*	2137*	3266*	1756*	2751*	1455*	2347*	1212*		
- 3.0 m	outriggers down			3637	3637	7113	7113	6985	6387*	5873*	5146*	4871*	4272*	4130*	3621*	3561*	3118*		
	outriggers up			3637	3637	6094*	3187*	4733*	2509*	3831*	2034*	3182*	1678*	2692*	1399*	2309*	1177*		
- 4.5 m	outriggers down					7417	7417	6491	6319*	5510	5085*	4696	4224*	3989	3590*	3321	3105*		
	outriggers up					6041*	3140*	4668*	2450*	3772*	1980*	3137*	1635*	2662*	1371*	2296*	1165*		
- 6.0 m	outriggers down									4925	4925	4181	4181						
	outriggers up									3763*	1972*	3131*	1630*						

The specified max. loading capacities in kilogrammes (kg) include a stability of 33% or are calculated at 87% of the hydraulic lifting power, as per ISO10567. These values are applicable at the tip of the arm with optimum positioning of the corresponding arm system. \*Value limited due to excavator stability. Weights of attached load carrying accessories (grab, magnet, load hook, etc.) are not included with the load carrying values.

# DIMENSIONS 350MH

## Dimensions



Further cabin versions on demand.

# ATLAS SINCE 1919 Material Handling Machine 350MH

350MH-EN (1) Effective date: 04/2016. Product specifications and prices are subject to change without notice or obligation. The photographs and/or drawings in this document are for illustrative purposes only. Refer to the appropriate Operator's Manual for instructions on the proper use of this equipment. Failure to follow the appropriate Operator's Manual when using our equipment or to otherwise act irresponsibly may result in serious injury or death. The only warranty applicable to our equipment is the standard written warranty applicable to the particular product and sale and Atlas makes no other warranty, express or implied. The only warranty applicable to our equipment is the standard written warranty applicable to the particular product and sale and Atlas makes no other warranty, express or implied. Products and services listed may be trademarks, service marks or trade-names of Atlas Maschinen GmbH and/or its subsidiaries. All rights are reserved. Atlas® is a registered trademark of Atlas Maschinen GmbH. Copyright © 2012 Atlas Maschinen GmbH. Ref. no. 6141749



[www.atlasgmbh.com](http://www.atlasgmbh.com)

**ATLAS Maschinen GmbH**  
 EXCAVATORS  
 Atlasstrasse 6  
 27777 Ganderkesee, Germany  
 T: +49 (0) 4222 954 0  
 F: +49 (0) 4222 954 343  
 info@atlasgmbh.com