




ATLAS

Wheel Excavator 160MH (with Lift-Cab)



-  16.6 - 17.5 t
-  80 kW (109 HP)
-  0.7 - 1.0 m³



ROBUST. STRONG. STABLE.

160MH

Technical specifications

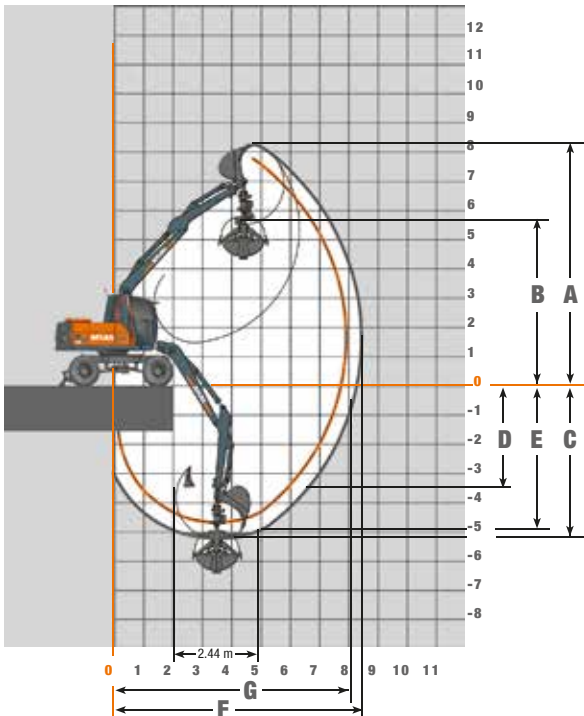
ENGINE	HYDRAULIC SYSTEM	EQUIPMENT
Power rating acc. to ISO 9249.....80 kW (109 HP)	• AWE 5 system (Load sensing)	BASIC UNIT:
RPM1800/min	• Load limit controlled high-performance pump	• Wheeled excavator with support and dozer blade on steering axle, 2x outrigger support on rigid axle and 2 lifting cylinders (A4.35)
Make / model Deutz / TCD 4.1 (Stage 3B)	• Fuel-efficient flow-on-demand control	• Monoblock boom 4.22 m (C3.3M)
Design.....Turbocharger	• Suction valves for all work functions	• Stick 2.50 m (D33)
Displacement.....4038 cm ³	• Load-retaining a. fine lowering valves in lifting circuit	DRIVER'S CAB:
Number of cylinders 4	• Sensitive, proportional, independent control	• Lift-cabin – 2 m elevation
Cooling systemWater-cooled	• Primary and secondary protection against overload	• Air conditioning equipped as standard
Air filter.....Dry air filter	• Pipe-break protection valves for lifting cylinders	• Air-cushioned comfort seat (seat heating optional)
Battery 2 x 12 V / 100 Ah	• Grab / grab-rotating function equipped as standard	• Preparation for radio installation with mute function
Generator..... 24 V / 55 Ah	• Max. oil flow188 l/min	
Starter..... 24 V / 4 kW	• Max. operating pressure360 bar	

TRACTION DRIVE	UNDERCARRIAGE	FILL CAPACITIES
• Max. speed20 km/h	• 28 tons special excavator axles	• Fuel tank 240 litres
• Tractive force.....83.0 kN	• Steering axle with automatic oscillating axle locking	• Engine oil..... 10 litres
• Max. gradeability.....65 %	• 8 tires (twins) 10.00 - 20	• Hydraulic tank 157 litres

DRIVER'S CAB	SWING ASSEMBLY	ATTACHMENTS (SELECTION)
• Meets latest safety standards	• Max. swing speed.....9/min	• Orange peel grab
• Extra large entry zone	• Swing torque 34.7 kNm	• Sorting grapple
• Excellent circumferential visibility*	• Axial piston motor with priority valve	• Clamshell grab
• ISO 6396 (LpA) in driver's cab..... 74 dB(A)	• Automatically controlled multi-disc brake	• Log grab
• 2000/14 EG (LwA) ambience level.... 100 dB(A)	• Planetary transmission	• Load hook

* Lift cab 2 m elevation

Working ranges Monoblock boom (C3.3M)



Stick length 2.50m (D33)		
A	Max. digging height	8.20 m
B	Max. dumping height	5.50 m
C	Max. digging depth	5.51 m
D	Max. vertical wall digging depth	3.70 m
E	Max. digging depth of cut for 2.44 m level	4.95 m
F	Max. digging reach	8.40 m
G	Max. digging reach at ground level	8.25 m
	Max. bucket digging force	106 kN
	Max. stick digging force	55 kN
	Tail swing radius	1.98 m
	Transport length (C3.3M; D33)	7.25 m
	Transport width	2.50 m
	Transport height (C3.3M; D33)	3.18 m

Lifting capacities Monoblock boom (C3.3M) and stick (D33). Max reach 8.40 m

Height	3.0 m		4.5 m		6.0 m	
	FRONT	LATERAL	FRONT	LATERAL	FRONT	LATERAL
+6.0 m						
+4.5 m					3042*	2300
					3042*	3042*
+3.0 m			3829*	3390	3203*	2257
			3829*	3829*	3203*	3203*
+1.5 m			4541*	3208	3450*	2184
			4541*	4541*	3450*	3450*
+0 m	6434*	5360	4898*	3079	3544*	2127
	6434*	6434*	4898*	4898*	3544*	3451
-1.5 m	7028*	5368	4646*	3050	3179*	2126
	7028*	7028*	4646*	4646*	3179*	3179*
-3.0 m	5187*	5187*	3435*	3116		
	5187*	5187*	3435*	3435*		

All values in kilograms (kg) were determined acc. ISO 10567 and include a stability factor of 1.33 or 87% of the hydraulic lifting capacity. These values are applicable at the top of the arm with optimum positioning of the corresponding arm system and with power boost switched on. *Value limited due to hydraulics.

www.atlasgmbh.com

ATLAS Maschinen GmbH
EXCAVATORS
Atlasstrasse 6
27777 Ganderkesee, Germany
T: +49 (0) 4222 954 0
F: +49 (0) 4222 954 343
info@atlasgmbh.com

160MH-EN (1) Effective date: August 2010. Product specifications and prices are subject to change without notice or obligation. The photographs and/or drawings in this document are for illustrative purposes only. Refer to the appropriate Operator's Manual for instructions on the proper use of this equipment. Failure to follow the appropriate Operator's Manual when using our equipment or to otherwise act irresponsibly may result in serious injury or death. The only warranty applicable to our equipment is the standard written warranty applicable to the particular product and sale and Atlas makes no other warranty, express or implied. The only warranty applicable to our equipment is the standard written warranty applicable to the particular product and sale and Atlas makes no other warranty, express or implied. Products and services listed may be trademarks, service marks or trade-names of Atlas Maschinen GmbH and/or its subsidiaries. All rights are reserved. Atlas® is a registered trademark of Atlas Maschinen GmbH.
Copyright © 2010 Atlas Maschinen GmbH.