

# ATLAS

SINCE 1919

**STABLE.  
STRONG.  
STEADY.**

-  15.6 - 17.3 t
-  95 kW (130 HP)
-  0.7 - 1.1 m<sup>3</sup>



## WHEELED EXCAVATOR 150W

[WWW.ATLASGMBH.COM](http://WWW.ATLASGMBH.COM)

# TECHNICAL INFORMATION 150W

## Technical Information

### ENGINE

|   |  |                                |
|---|--|--------------------------------|
| Power rating.....95 kW (130 hp)             | Cylinder capacity.....4038 cm <sup>3</sup> | Air filter .....Dry air filter |
| RPM.....1800/min                            | Number of cylinders.....4                  | Battery.....2x 12V 2x100 Ah    |
| Make/model.....Deutz TCD 4.1 (Tier 4 Final) | Borehole/lift .....101/126                 | Alternator .....24V / 100 Ah   |
| Design .....Turbocharger/LLK                | Cooling system .....Water-cooled           | Starter .....24 V / 4 kW       |

### HYDRAULIC SYSTEM

|   |  |   |
|---|--|---|
| • AWE 5 system (Load sensing)                       | • Suction valves for all work functions                              | • 2 additional circuits for additional consumer loads possible  |
| • Load limit controlled high-performance pump       | • Load-retaining and fine lowering valves in lifting circuit         | • Max. oil flow.....240 l/min                                   |
| • Fuel-efficient flow-on-demand control             | • Pipe break protection valves for lifting and articulated cylinders | • Max. operating pressure .....350 bar                          |
| • Sensitive, proportional, independent control      | • Grab / grab-rotating function equipped as standard                 | • Operating modes:<br>3 pre-programmed modes (Fine, Eco, Power) |
| • Primary and secondary protection against overload |  |   |

### SWING ASSEMBLY

|   |   |                               |
|---|---|-------------------------------|
| A hydrostatic drive with a 2-tier planetary gear and an axial piston motor acts like a wear-resistant service brake. Additional spring-mechanism multi-disc brake as a parking brake. | • Axial piston motor with priority valve    | • Max. swing speed .....9/min |
|   | • Planetary transmission                    | • Swing torque.....41 kNm     |
|   | • Automatically controlled multi-disc brake |                               |

### TRACTION DRIVE AND BRAKES

|   |  |   |
|---|--|---|
| • Variable displacement motor                             | • Automotive drive and cruise control: | • Tractive force .....92.7 kN               |
| • Power-shift transmission                                | • Maximum speed .....20 km/h           | • Max. gradeability .....60%                |
| • Double-acting brake valve                               | • Terrain speed .....5 km/h            | • Dual circuit brake system .....Multi-disc |
| • Driving direction pre-selection via buttons in joystick | • Crawling speed .....1 km/h           | • Parking brake .....Multi-disc             |
|   | • High-speed option .....35 km/h       | • ZF axles                                  |

### UNDERCARRIAGE

|  |                           |                                      |
|--|---------------------------|--------------------------------------|
| • 28 t special excavator axles                           | • 8 tyres .....10.00 - 20 | • 4 tyres (optional) .....710 - 22.5 |
| • Steering axle with automatic oscillating axle blocking |                           |                                      |

### FILL CAPACITIES

|                                 |                                  |                                     |
|---------------------------------|----------------------------------|-------------------------------------|
| • Fuel tank .....301 litres     | • Engine oil .....10 litres      | • Hydraulics system .....220 litres |
| • Cooling system .....35 litres | • Hydraulic tank .....180 litres | • Ad Blue® .....32 litres           |

### DRIVER'S CAB

|   |  |   |
|---|--|---|
| • Meets latest safety standards ROPS                    | <b>CONTROL:</b>  | <b>CLIMATE CONTROL:</b>   |
| • Extra large entry zone                                | • Ergonomic joysticks with proportional slide control              | • Air conditioning with Climatronic                             |
| • Spacious leg room                                     | • Slim steering column, height and tilt adjustable                 | • Very good air distribution through optimally arranged nozzles |
| • Excellent circumferential visibility                  | • Indicators, controls and operating switches are clearly arranged | <b>SOUND LEVELS:</b>  |
| • Preparation for radio installation with mute function |  | • ISO 6396 (L <sub>pA</sub> ) in driver's cab.....72 dB(A)      |
| <b>DRIVER'S SEAT:</b>                                   | <b>MONITORING:</b>   | • 2000/14EG (L <sub>wA</sub> ) ambience level.....97 dB(A)      |
| • Air-cushioned comfort seat (optional seat heating)    | • Operating data appears display                                   |   |
| • Arm rests and lumbar support                          | • Automatic system for monitoring, warning and storage of data     |   |
| • Seat adjustable separately from console               |  |   |

# WORKING EQUIPMENT 150W

## Equipment

| OPERATING WEIGHTS    | Monoblock boom<br>4.32 m (C6.3M) |                        | ADJUSTABLE BOOM<br>Base arm 1.87 m (C6.41)<br>Boom 3.10 m (C6.46) |                        |
|----------------------|----------------------------------|------------------------|---|------------------------|
|                      | Stick 2.15 m<br>(D6.2)           | Stick 2.65 m<br>(D6.3) | Stick 2.15 m<br>(D6.2)  | Stick 2.65 m<br>(D6.3) |
| Support dozer blade  | 15.3 t                           | 15.4 t                 | 15.6 t  | 15.7 t                 |
| blade / outriggers   | 16.3 t                           | 16.4 t                 | 16.7 t  | 16.8 t                 |
| 4 support outriggers | 16.5 t                           | 16.6 t                 | 16.9 t  | 17.0 t                 |

Operating weight with driver, completely filled implement and 1 ton for attachments.

## EQUIPMENT

### BASIC DEVICE Atlas 150W (can be combined)

|  |  |   |
|--|--|---|
| <ul style="list-style-type: none"> <li>Wheel excavator 150W with support and dozer blade (SDB) and 2 lifting cylinders (A 5.2)</li> <li>Wheel excavator 150W with quadruple claw support and 2 lifting cylinders (A 5.32)</li> <li>Wheel excavator 150W with blade on rigid axle, 2 outriggers on steering axle and 2 lifting cylinders (A 5.33)</li> <li>Wheel excavator 150W with blade on steering axle, 2 outriggers on rigid axle and 2 lifting cylinders (A 5.35)</li> </ul> | <p><b>Bucket tipping cylinder:</b></p> <ul style="list-style-type: none"> <li>Bucket tipping cylinder with bucket linkage (F 6.1)</li> </ul>   | <ul style="list-style-type: none"> <li>Slim steering column, height and tilt adjustable</li> <li>Ready for electric cooling box</li> <li>Different options for storage, compartment for documents</li> <li>Seat adjustable separately from console</li> <li>Rear view security camera</li> <li>Heat-absorbing glass, tinted windows</li> <li>Automotive drive and cruise control</li> <li>Operating data display screen</li> <li>Bottle holder</li> </ul> |
| <p><b>SDB = support and dozer blade</b></p> <p><b>Boom:</b></p> <ul style="list-style-type: none"> <li>Monoblock boom with stick cylinder 4.32 m (C 6.3M)</li> <li>Adjustable boom consisting of the base arm 1.87 m (C 6.41) with adjustable cylinder and boom 3.10 m (C 6.46) with stick cylinder</li> </ul>   | <p><b>Standard equipment</b></p> <p><b>Engine:</b></p> <ul style="list-style-type: none"> <li>Automatic idle</li> <li>Diesel pre-filter</li> <li>Engine monitoring</li> <li>Cold start assistance</li> </ul>   | <p><b>Equipment:</b></p> <ul style="list-style-type: none"> <li>Joint bearings in stick and bucket cylinders</li> <li>Combined lubricating points for swing bearing and arm equipment</li> </ul>  |
| <p><b>Sticks:</b></p> <ul style="list-style-type: none"> <li>Stick 2.15 m (D 6.2)</li> <li>Stick 2.65 m (D 6.3)</li> </ul>   | <p><b>Hydraulics:</b></p> <ul style="list-style-type: none"> <li>Proportional grab/grab rotating function</li> <li>Accumulator for emergency lowering of the arm system</li> <li>Pipe break protection valves for lifting and articulated cylinders</li> <li>Max. load-limit control</li> <li>Cylinder end-position damping</li> </ul> | <p><b>Undercarriage:</b></p> <ul style="list-style-type: none"> <li>Power-shift transmission</li> <li>Wet disc brakes</li> <li>Tool box in the undercarriage</li> </ul>   |
|  | <p><b>Cab:</b></p> <ul style="list-style-type: none"> <li>Air conditioning with Climatronic</li> <li>Preparation for radio installation with mute function</li> </ul>  |   |

## ADDITIONAL EQUIPMENT

|   |   |  |
|---|---|--|
| <p><b>Engine:</b></p> <ul style="list-style-type: none"> <li>Refueling pump</li> <li>Engine speed adjustment via potentiometer</li> <li>Auxiliary heating</li> </ul>  | <p><b>Equipment:</b></p> <ul style="list-style-type: none"> <li>Automatically controlled and monitored electric central lubrication system for uppercarriage and arm equipment</li> </ul>   | <ul style="list-style-type: none"> <li>Cab elevation</li> <li>GPS/GSM telemetric system for monitoring of operating data, consumption, position</li> <li>Proportional control of supports by slide in joystick</li> </ul>                            |
| <p><b>Hydraulics:</b></p> <ul style="list-style-type: none"> <li>Hydraulic kit, to operate front and rear supports separately</li> <li>Hydraulic kit, to operate supports per axle separately</li> <li>Biodegradable oil</li> <li>270° camera system</li> </ul> | <p><b>Cab:</b></p> <ul style="list-style-type: none"> <li>Cab protection guard</li> <li>Beacon light</li> <li>Heated driver's seat</li> <li>Radio CD/MP3, front AUX in, USB</li> <li>Joystick steering</li> <li>Electric cooling box</li> <li>LED working-lights</li> </ul> | <p><b>Undercarriage:</b></p> <ul style="list-style-type: none"> <li>Wide axles (overall width 2750 mm)</li> <li>Wide dozer blade (overall width 2750 mm)</li> <li>High-speed option 37 km/h</li> <li>Gear protection</li> <li>Wheel cover</li> </ul> |
|   |   | <p><b>Other special equipment:</b> See price list</p>  |

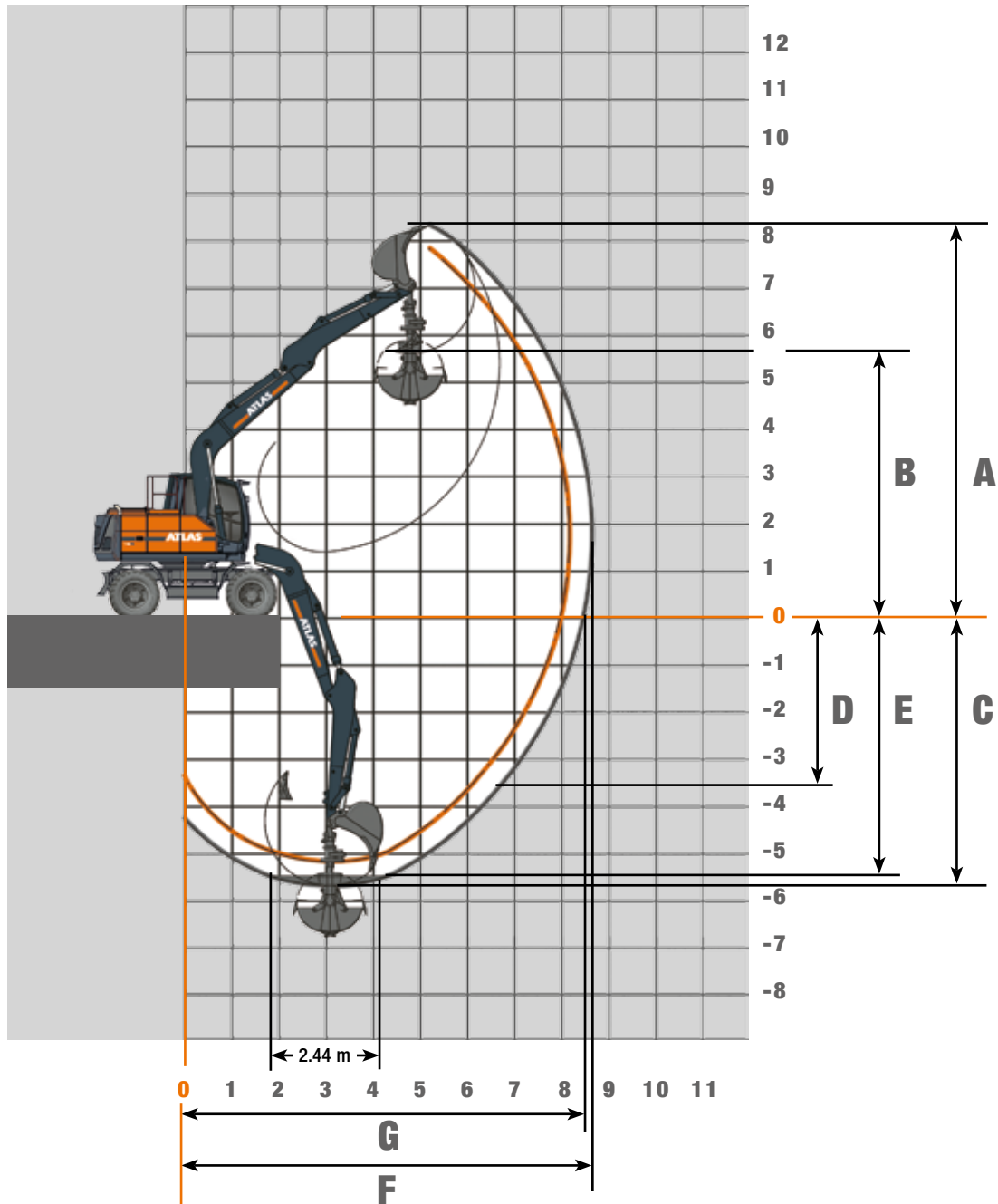
## ATTACHMENTS (SELECTION)

|               | Bucket<br>F415      | Bucket<br>F416      | Bucket<br>F417      | Bucket<br>F648      |
|---------------|---------------------|---------------------|---------------------|---------------------|
| Capacity SAE  | 0.67 m <sup>3</sup> | 0.82 m <sup>3</sup> | 0.92 m <sup>3</sup> | 1.12 m <sup>3</sup> |
| Cutting width | 850 mm              | 1000 mm             | 1100 mm             | 1300 mm             |



# WORK AREAS 150W

## Work Areas Monoblock boom 4.32 m (C6.3M)



| STICK LENGTHS                                 | 2.15 m (D6.2) | 2.65 m (D6.3) |
|---|---------------|---------------|
| A Max. cut-in height                          | 8.10 meters   | 8.35 meters   |
| B Max. pouring height                         | 5.35 meters   | 5.65 meters   |
| C Max. trench depth                           | 5.20 meters   | 5.70 meters   |
| D Max. vertical tapping depth                 | 3.00 meters   | 3.55 meters   |
| E Max. trench depth with 2.44-metre-wide base | 4.95 meters   | 5.50 meters   |
| F Max. reach                                  | 8.20 meters   | 8.70 meters   |
| G Max. reach in the standing plane            | 8.05 meters   | 8.50 meters   |
| Max. bucket digging force                     | 130 kN        | 130 kN        |
| Max. stick digging force                      | 82 kN         | 72 kN         |

Unit is equipped with monoblock boom 4.32 m (C6.3M).

# LIFTING CAPACITIES 150W

## Lifting Capacities Monoblock boom 4.32 m (C6.3M)

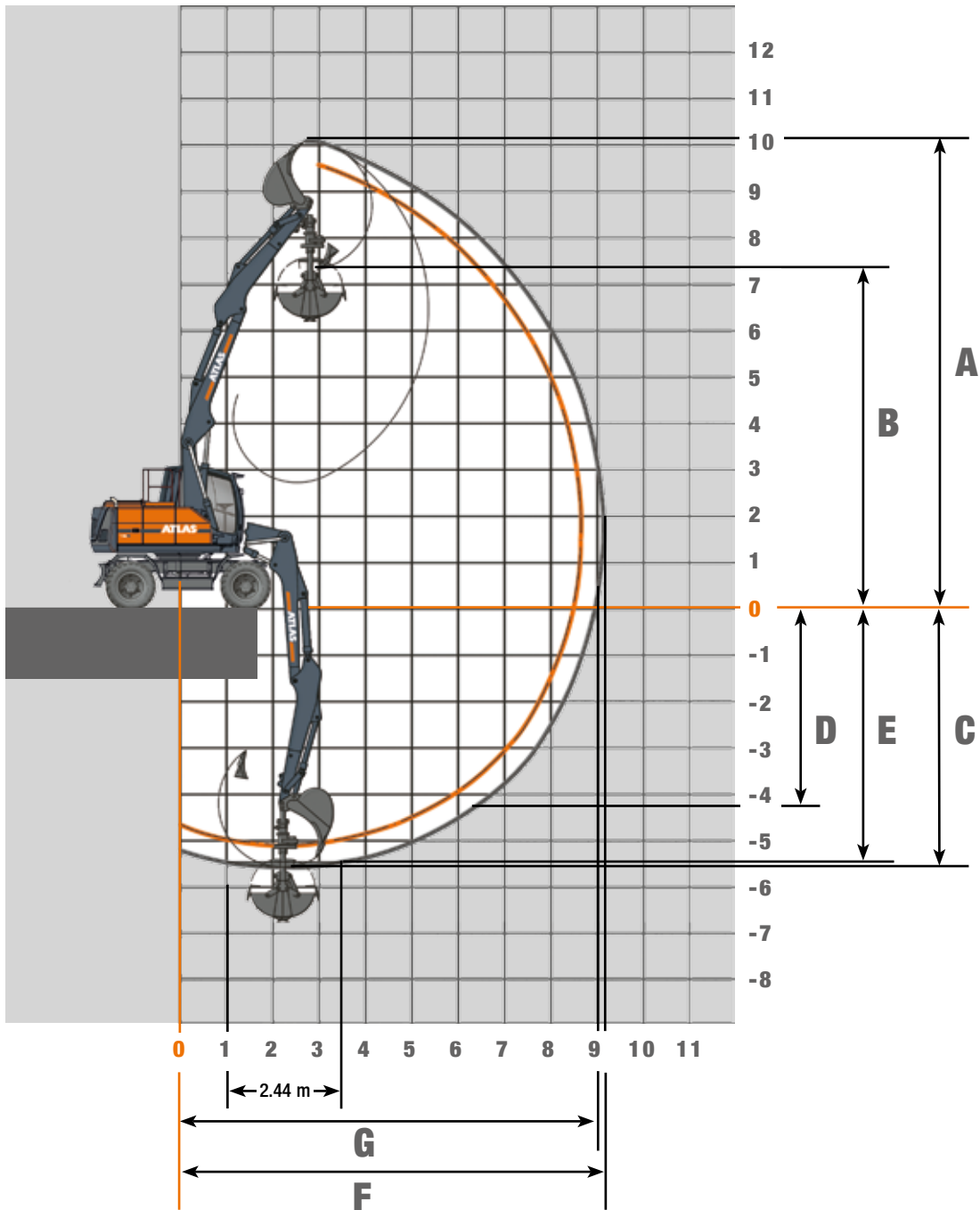
| Lifting Capacities Monoblock boom 4.32 m (C6.3 M) with Stick 2.15 m (D6.2). Max. Reach 8.20 m |                    |  |                     |       |       |       |       |       |       |       |       |
|---|--------------------|--|---------------------|-------|-------|-------|-------|-------|-------|-------|-------|
| Height  | Undercarriage type |  | 2.5 m               | 3.0 m | 3.5 m | 4.0 m | 4.5 m | 5.0 m | 5.5 m | 6.0 m | 6.5 m |
| + 5.0 m   | FRONT              |  | SDB rear, supported |       |       |       |       | 4226  | 4195  |       |       |
|   | LATERAL            |  | SDB front, raised   |       |       |       |       | 4226  | 4195  |       |       |
| + 4.0 m   | FRONT              |  | SDB supported       |       |       |       |       | 4226  | 4183* |       |       |
|   | LATERAL            |  | SDB raised          |       |       |       |       | 4226  | 3694* |       |       |
| + 3.0 m   | FRONT              |  | SDB rear, supported |       | 6809  | 5963  | 5382  | 4964  | 4652  | 4418  | 4251  |
|   | LATERAL            |  | SDB front, raised   |       | 6809  | 5963  | 5382  | 4964  | 4652  | 4418  | 4251  |
| + 2.0 m   | FRONT              |  | SDB supported       |       | 7377* | 6112* | 5194* | 4636* | 4051* | 3579* | 3185* |
|   | LATERAL            |  | SDB raised          |       | 6711* | 5555* | 4713* | 4072* | 3566* | 3154* | 2808* |
| + 1.0 m   | FRONT              |  | SDB rear, supported |       | 8919  | 7551  | 6570  | 5844  | 5289  | 4849  | 4490  |
|   | LATERAL            |  | SDB front, raised   |       | 8919  | 7551  | 6570  | 5844  | 5289  | 4849  | 4473* |
| + 0 m   | FRONT              |  | SDB supported       |       | 7126* | 5913* | 5040* | 4379* | 3860* | 3440* | 3094* |
|   | LATERAL            |  | SDB raised          |       | 6099* | 5108* | 4381* | 3823* | 3380* | 3019* | 2719* |
| - 1.0 m   | FRONT              |  | SDB rear, supported | 8120  | 9990  | 8609  | 7495  | 6594  | 5853  | 5219  | 4614  |
|   | LATERAL            |  | SDB front, raised   | 8120  | 9990  | 8609  | 7495  | 6594  | 5853  | 5219  | 4614  |
| - 2.0 m   | FRONT              |  | SDB supported       | 8120  | 8936* | 7032* | 5795* | 4928* | 4285* | 3790* | 3404* |
|   | LATERAL            |  | SDB raised          | 8120  | 7541* | 6010* | 4995* | 4273* | 3732* | 3313* | 2984* |
| - 3.0 m   | FRONT              |  | SDB rear, supported | 10191 | 8825  | 7706  | 6768  | 5961  | 5228  | 4445  |       |
|   | LATERAL            |  | SDB front, raised   | 10191 | 8825  | 7706  | 6768  | 5961  | 5228  | 4445  |       |
| - 4.0 m   | FRONT              |  | SDB supported       | 10191 | 8825  | 7099* | 5845* | 4968* | 4326* | 3846* |       |
|   | LATERAL            |  | SDB raised          | 10191 | 7631* | 6074* | 5043* | 4312* | 3772* | 3367* |       |

| Lifting Capacities Monoblock boom 4.32 m (C6.3M) with Stick 2.65 m (D6.3). Max. Reach 8.70 m |                    |  |                     |        |       |       |       |       |       |       |       |       |
|--|--------------------|--|---------------------|--------|-------|-------|-------|-------|-------|-------|-------|-------|
| Height   | Undercarriage type |  | 2.5 m               | 3.0 m  | 3.5 m | 4.0 m | 4.5 m | 5.0 m | 5.5 m | 6.0 m | 6.5 m | 7.0 m |
| + 5.0 m  | FRONT              |  | SDB rear, supported |        |       |       |       |       | 3748  | 3762  | 1902  |       |
|  | LATERAL            |  | SDB front, raised   |        |       |       |       |       | 3748  | 3762  | 1902  |       |
| + 4.0 m  | FRONT              |  | SDB supported       |        |       |       |       |       | 3748  | 3713* | 1902  |       |
|  | LATERAL            |  | SDB raised          |        |       |       |       |       | 3748  | 3283* | 1902  |       |
| + 3.0 m  | FRONT              |  | SDB rear, supported |        |       |       |       | 4075  | 3958  | 3870  | 3817  |       |
|  | LATERAL            |  | SDB front, raised   |        |       |       |       | 4075  | 3958  | 3870  | 3817  |       |
| + 2.0 m  | FRONT              |  | SDB supported       |        |       |       |       | 4075  | 3958  | 3678* | 3256* |       |
|  | LATERAL            |  | SDB raised          |        |       |       |       | 4075  | 3697* | 3249* | 2876* |       |
| + 1.0 m  | FRONT              |  | SDB rear, supported |        |       | 5351  | 4904  | 4571  | 4317  | 4120  | 3969  | 3152  |
|  | LATERAL            |  | SDB front, raised   |        |       | 5351  | 4904  | 4571  | 4317  | 4120  | 3969  | 3152  |
| + 0 m  | FRONT              |  | SDB supported       |        |       | 5351  | 4904  | 4571  | 4087* | 3606* | 3209* | 2872* |
|  | LATERAL            |  | SDB raised          |        |       | 5351  | 4782* | 4119* | 3599* | 3179* | 2830* | 2532* |
| - 1.0 m  | FRONT              |  | SDB rear, supported |        | 7464  | 6394  | 5660  | 5129  | 4729  | 4420  | 4176  | 3896  |
|  | LATERAL            |  | SDB front, raised   |        | 7464  | 6394  | 5660  | 5129  | 4729  | 4420  | 4176  | 3896  |
| - 2.0 m  | FRONT              |  | SDB supported       |        | 7464  | 6192* | 5245* | 4529* | 3970* | 3519* | 3146* | 2832* |
|  | LATERAL            |  | SDB raised          |        | 6458* | 5372* | 4576* | 3967* | 3485* | 3094* | 2769* | 2493* |
| - 3.0 m  | FRONT              |  | SDB rear, supported |        |       | 8523  | 7212  | 6287  | 5607  | 4685  | 4356  | 4027  |
|  | LATERAL            |  | SDB front, raised   |        |       | 8523  | 7212  | 6287  | 5607  | 4685  | 4356  | 4024* |
| - 4.0 m  | FRONT              |  | SDB supported       |        |       | 7172* | 5943* | 5057* | 4387* | 3860* | 3436* | 3085* |
|  | LATERAL            |  | SDB raised          |        |       | 6141* | 5135* | 4396* | 3829* | 3379* | 3013* | 2709* |
| - 5.0 m  | FRONT              |  | SDB rear, supported |        | 7828  | 8936  | 7618  | 6638  | 5891  | 5305  | 4831  | 4427  |
|  | LATERAL            |  | SDB front, raised   |        | 7828  | 8936  | 7618  | 6638  | 5891  | 5305  | 4831  | 4418* |
| - 6.0 m  | FRONT              |  | SDB supported       |        | 7828  | 6995* | 5789* | 4930* | 4284* | 3779* | 3373* | 3039* |
|  | LATERAL            |  | SDB raised          |        | 7435* | 5972* | 4987* | 4273* | 3729* | 3300* | 2952* | 2664* |
| - 7.0 m  | FRONT              |  | SDB rear, supported |        | 10073 | 8813  | 7598  | 6655  | 5906  | 5293  | 4769  | 4270  |
|  | LATERAL            |  | SDB front, raised   |        | 10073 | 8813  | 7598  | 6655  | 5906  | 5293  | 4769  | 4270  |
| - 8.0 m  | FRONT              |  | SDB supported       |        | 8813* | 6946* | 5730* | 4872* | 4234* | 3740* | 3348* | 3034* |
|  | LATERAL            |  | SDB raised          |        | 7423* | 5927* | 4930* | 4217* | 3681* | 3263* | 2928* | 2659* |
| - 9.0 m  | FRONT              |  | SDB rear, supported | 10511  | 9541  | 8197  | 7139  | 6281  | 5560  | 4923  | 4279  |       |
|  | LATERAL            |  | SDB front, raised   | 10511  | 9541  | 8197  | 7139  | 6281  | 5560  | 4923  | 4279  |       |
| - 10.0 m   | FRONT              |  | SDB supported       | 10511  | 8879* | 6983* | 5750* | 4885* | 4246* | 3758* | 3379* |       |
|  | LATERAL            |  | SDB raised          | 10028* | 7485* | 5961* | 4950* | 4230* | 3693* | 3280* | 2958* |       |
| - 11.0 m   | FRONT              |  | SDB rear, supported | 9333   | 8003  | 6953  | 6076  | 5298  | 4539  |       |       |       |
|  | LATERAL            |  | SDB front, raised   | 9333   | 8003  | 6953  | 6076  | 5298  | 4539  |       |       |       |
| - 12.0 m   | FRONT              |  | SDB supported       | 9333   | 8003  | 6953  | 5839* | 4965* | 4329* |       |       |       |
|  | LATERAL            |  | SDB raised          | 9333   | 7618* | 6064* | 5034* | 4307* | 3773* |       |       |       |

The specified max. loading capacities in kilograms (kg) include a stability of 25% or are calculated at 87% of the hydraulic lifting power, as per ISO10567. These values are applicable at the tip of the arm with optimum positioning of the corresponding arm system. Weights of attached load carrying accessories (grab, magnet, load hook, etc.) are not included with the load carrying values. \*Value limited due to excavator stability.

# WORK AREAS 150W

**Work Areas** Adjustable Boom, Base arm 1.87 m (C6.41) and Boom 3.10 m (C6.46)



| STICK LENGTHS                                 | 2.15 m (D6.2) | 2.65 m (D6.3) |
|---|---------------|---------------|
| A Max. cut-in height                          | 9.70 meters   | 10.10 meters  |
| B Max. pouring height                         | 6.95 meters   | 7.35 meters   |
| C Max. trench depth                           | 5.10 meters   | 5.60 meters   |
| D Max. vertical tapping depth                 | 3.80 meters   | 4.30 meters   |
| E Max. trench depth with 2.44-metre-wide base | 5.00 meters   | 5.50 meters   |
| F Max. reach                                  | 8.70 meters   | 9.20 meters   |
| G Max. reach in the standing plane            | 8.55 meters   | 9.05 meters   |
| Max. bucket digging force                     | 130 kN        | 130 kN        |
| Max. stick digging force                      | 82 kN         | 72 kN         |

Unit is equipped with standard adjustable boom: base arm 1.87 m (C6.41) and boom 3.10 m (C6.46).

# LIFTING CAPACITIES 150W

## Lifting Capacities Adjustable Boom, Base arm 1.87 m (C6.41) and Boom 3.10 m (C6.46)

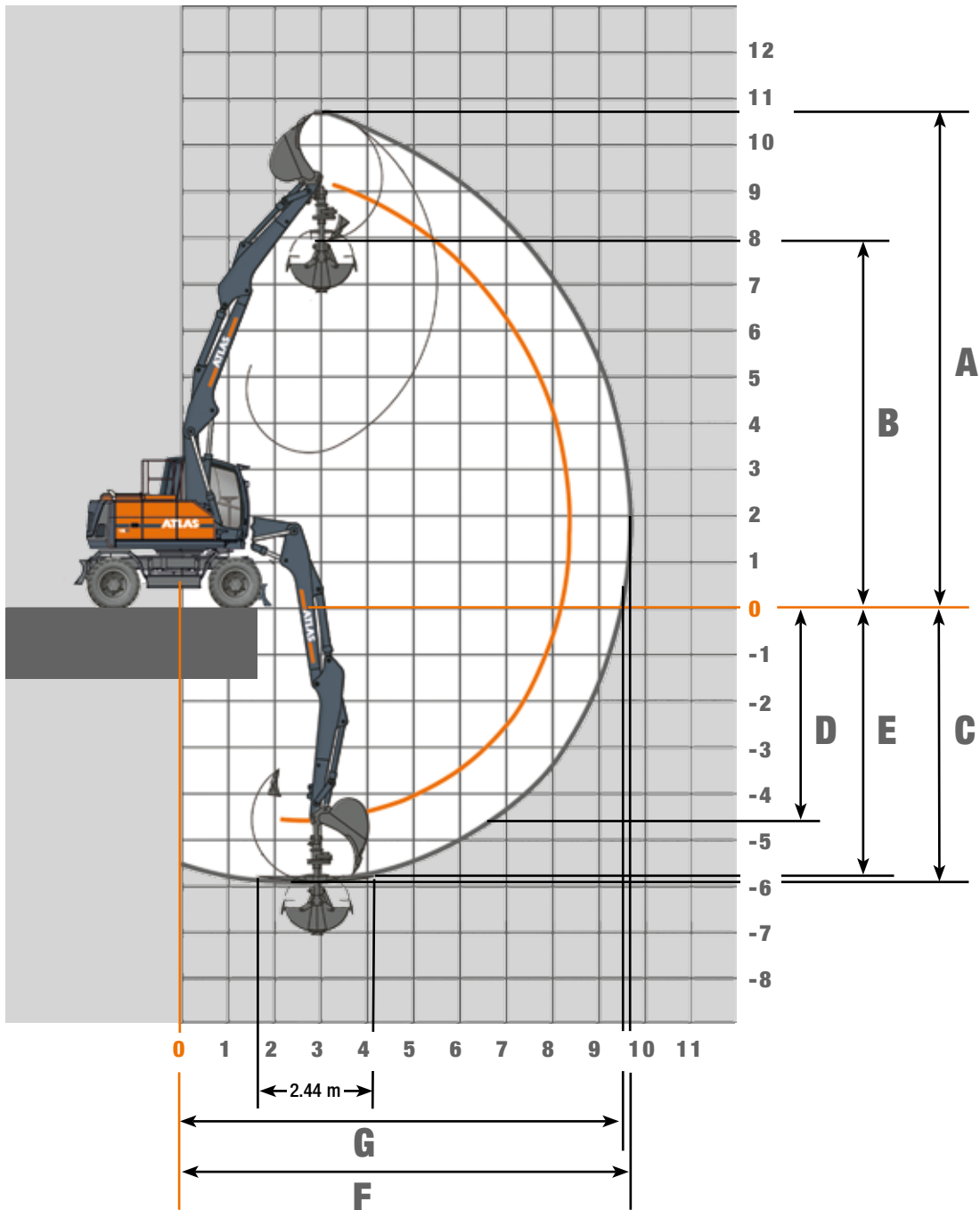
| Lifting Capacities Adjustable Boom: Base arm 1.87 m (C6.41) and Boom 3.10 m (C6.46) with Stick 2.15 m (D6.2). Max. Reach 8.70 m |                    |  |        |       |       |       |       |       |       |       |       |       |
|---|--------------------|--|--------|-------|-------|-------|-------|-------|-------|-------|-------|-------|
| Height  | Undercarriage type |  | 2.5 m  | 3.0 m | 3.5 m | 4.0 m | 4.5 m | 5.0 m | 5.5 m | 6.0 m | 6.5 m | 7.0 m |
| + 6.0 m   | FRONT              |  |        |       | 5379  | 5440  | 5095  | 4826  | 4616  | 4463  |       |       |
|   |                    |  |        |       | 5379  | 5440  | 5095  | 4826  | 4616  | 4463  |       |       |
|   | LATERAL            |  |        |       | 5379  | 5440  | 5095  | 4826  | 4616  | 4156* |       |       |
|   |                    |  |        |       | 5379  | 5440  | 5095  | 4826  | 4264* | 3668* |       |       |
| + 5.0 m   | FRONT              |  | 5060   | 5667  | 5860  | 5420  | 5035  | 4729  | 4484  | 4291  | 3873  |       |
|   |                    |  | 5060   | 5667  | 5860  | 5420  | 5035  | 4729  | 4484  | 4291  | 3873  |       |
|   | LATERAL            |  | 5060   | 5667  | 5860  | 5420  | 5035  | 4729  | 4484  | 4154  | 3651* | 3155* |
|   |                    |  | 5060   | 5667  | 5860  | 5420  | 4903  | 4239* | 3716  | 3223* | 2776* |       |
| + 4.0 m   | FRONT              |  | 7451   | 7746  | 6843  | 6047  | 5467  | 5024  | 4675  | 4395  | 4166  |       |
|   |                    |  | 7451   | 7746  | 6843  | 6047  | 5467  | 5024  | 4675  | 4395  | 4166  |       |
|   | LATERAL            |  | 7451   | 7746  | 6843  | 6047  | 5403* | 4675* | 4115* | 3662* | 3196* |       |
|   |                    |  | 7451   | 7746  | 6797* | 5649* | 4813* | 4184* | 3687* | 3253* | 2816* |       |
| + 3.0 m   | FRONT              |  | 7391   | 7638  | 7554  | 6811  | 5993  | 5392  | 4929  | 4561  | 4257  | 3994  |
|   |                    |  | 7391   | 7638  | 7554  | 6811  | 5993  | 5392  | 4929  | 4561  | 4257  | 3994  |
|   | LATERAL            |  | 7391   | 7638  | 7481* | 6215* | 5302* | 4612* | 4072* | 3643* | 3189* | 2793* |
|   |                    |  | 7391   | 7638  | 6612* | 5528* | 4734  | 4127* | 3656* | 3239* | 2809* | 2453* |
| + 2.0 m   | FRONT              |  | 8918   | 8725  | 8211  | 7380  | 6415  | 5699  | 5146  | 4704  | 4335  | 4007  |
|   |                    |  | 8918   | 8725  | 8211  | 7380  | 6415  | 5699  | 5146  | 4704  | 4335  | 3988  |
|   | LATERAL            |  | 8918   | 8725  | 7361* | 6127* | 5238  | 4571* | 4050* | 3612* | 3147* | 2766* |
|   |                    |  | 8918   | 8078* | 6520* | 5454* | 4680* | 4100* | 3650* | 3183* | 2768* | 2426* |
| + 1.0 m   | FRONT              |  | 10340  | 9574  | 8637  | 7499  | 6554  | 5818  | 5228  | 4745  | 4343  | 4009  |
|   |                    |  | 10340  | 9574  | 8637  | 7499  | 6554  | 5818  | 5228  | 4745  | 4343  | 3954* |
|   | LATERAL            |  | 10340  | 9230* | 7360* | 6116* | 5231* | 4578* | 4077* | 3523* | 3080* | 2722* |
|   |                    |  | 10340  | 8081* | 6513* | 5445* | 4684* | 4114* | 3587* | 3096* | 2703* | 2384* |
| + 0 m   | FRONT              |  | 12222  | 10494 | 8812  | 7523  | 6565  | 5825  | 5236  | 4763  | 4382  | 3763  |
|   |                    |  | 12222  | 10494 | 8812  | 7523  | 6565  | 5825  | 5236  | 4763  | 4382  | 3763  |
|   | LATERAL            |  | 12222  | 9321  | 7431* | 6182* | 5266* | 4550* | 3935* | 3418* | 3008* | 2688* |
|   |                    |  | 10631* | 8053* | 6469* | 5387* | 4594* | 3984* | 3450* | 2995* | 2632* | 2351* |
| - 1.0 m   | FRONT              |  | 13514  | 10753 | 8912  | 7607  | 6640  | 5901  | 5349  | 4766  | 3982  |       |
|   |                    |  | 13514  | 10753 | 8912  | 7607  | 6640  | 5901  | 5349  | 4766  | 3982  |       |
|   | LATERAL            |  | 12601* | 9286* | 7344* | 6062* | 5147* | 4404* | 3802* | 3332* | 2969* |       |
|   |                    |  | 10427* | 7860* | 6300* | 5245* | 4479* | 3844* | 3320* | 2911* | 2594* |       |
| - 2.0 m   | FRONT              |  | 13813  | 11003 | 9158  | 7855  | 6786  | 5841  | 4889  | 3701  |       |       |
|   |                    |  | 13813  | 11003 | 9158  | 7855  | 6786  | 5841  | 4889  | 3701  |       |       |
|   | LATERAL            |  | 12543* | 9216* | 7278* | 5974* | 4997* | 4281* | 3735* | 3313* |       |       |
|   |                    |  | 10374* | 7794* | 6237* | 5160* | 4335* | 3724* | 3255* | 2892* |       |       |

| Lifting Capacities Adjustable Boom: Base arm 1.87 m (C6.41) and Boom 3.10 m (C6.46) with Stick 2.65 m (D6.3). Max. Reach 9.20 m |                    |  |        |       |       |       |       |       |       |       |       |       |       |
|---|--------------------|--|--------|-------|-------|-------|-------|-------|-------|-------|-------|-------|-------|
| Height  | Undercarriage type |  | 2.5 m  | 3.0 m | 3.5 m | 4.0 m | 4.5 m | 5.0 m | 5.5 m | 6.0 m | 6.5 m | 7.0 m | 7.5 m |
| + 6.0 m   | FRONT              |  |        |       | 4334  | 4515  | 4407  | 4239  | 4103  | 4001  |       |       |       |
|   |                    |  |        |       | 4334  | 4515  | 4407  | 4239  | 4103  | 4001  |       |       |       |
|   | LATERAL            |  |        |       | 4334  | 4515  | 4407  | 4239  | 4103  | 3690* |       |       |       |
|   |                    |  |        |       | 4334  | 4515  | 4407  | 4239  | 3754* | 3265* |       |       |       |
| + 5.0 m   | FRONT              |  |        | 3957  | 4449  | 4648  | 4637  | 4391  | 4187  | 4017  | 3879  | 3132  |       |
|   |                    |  |        | 3957  | 4449  | 4648  | 4637  | 4391  | 4187  | 4017  | 3879  | 3132  |       |
|   | LATERAL            |  |        | 3957  | 4449  | 4648  | 4637  | 4391  | 4173* | 3691  | 3266* | 2845* |       |
|   |                    |  |        | 3957  | 4449  | 4648  | 4637  | 4267* | 3733* | 3304* | 2887* | 2504* |       |
| + 4.0 m   | FRONT              |  | 5224   | 5553  | 5732  | 5558  | 5083  | 4710  | 4411  | 4164  | 3959  | 3786  |       |
|   |                    |  | 5224   | 5553  | 5732  | 5558  | 5083  | 4710  | 4411  | 4164  | 3959  | 3786  |       |
|   | LATERAL            |  | 5224   | 5553  | 5732  | 5558  | 5083  | 4693* | 4120* | 3659  | 3282* | 2877* |       |
|   |                    |  | 5224   | 5553  | 5732  | 5558  | 4838* | 4195* | 3689* | 3282* | 2909* | 2537* |       |
| + 3.0 m   | FRONT              |  | 7216   | 7569  | 7357  | 6358  | 5649  | 5117  | 4703  | 4371  | 4096  | 3861  | 3650  |
|   |                    |  | 7216   | 7569  | 7357  | 6358  | 5649  | 5117  | 4703  | 4371  | 4096  | 3861  | 3631* |
|   | LATERAL            |  | 7216   | 7569  | 7357  | 6230* | 5308* | 4605  | 4057* | 3620* | 3266* | 2869* | 2527* |
|   |                    |  | 7216   | 7569  | 6644* | 5538* | 4729* | 4118  | 3639* | 3253* | 2895* | 2529* | 2218* |
| + 2.0 m   | FRONT              |  | 9000   | 8792  | 8133  | 7069  | 6165  | 5495  | 4979  | 4566  | 4226  | 3934  | 3665  |
|   |                    |  | 9000   | 8792  | 8133  | 7069  | 6165  | 5495  | 4979  | 4566  | 4226  | 3934  | 3607* |
|   | LATERAL            |  | 9000   | 8792  | 7336* | 6105* | 5212* | 4539* | 4017* | 3597  | 3227* | 2834* | 2503* |
|   |                    |  | 9000   | 8045* | 6487  | 5426* | 4655* | 4065* | 3606* | 3243  | 2850* | 2492* | 2194* |
| + 1.0 m   | FRONT              |  | 9804   | 9227  | 8484  | 7409  | 6454  | 5722  | 5146  | 4679  | 4288  | 3949  | 3655  |
|   |                    |  | 9804   | 9227  | 8484  | 7409  | 6454  | 5722  | 5146  | 4679  | 4288  | 3938* | 3570* |
|   | LATERAL            |  | 9804   | 9124* | 7286* | 6054* | 5174  | 4515* | 4010* | 3613* | 3153* | 2776* | 2463* |
|   |                    |  | 9804   | 7991  | 6437* | 5389  | 4625  | 4052* | 3612* | 3190* | 2774* | 2435* | 2154* |
| + 0 m   | FRONT              |  | 11381  | 10082 | 8684  | 7421  | 6479  | 5747  | 5162  | 4685  | 4292  | 3973  | 3446  |
|   |                    |  | 11381  | 10082 | 8684  | 7421  | 6479  | 5747  | 5162  | 4685  | 4292  | 3935* | 3446  |
|   | LATERAL            |  | 11381  | 9181  | 7314* | 6079* | 5206* | 4556  | 4010* | 3494* | 3059* | 2709* | 2429* |
|   |                    |  | 10617* | 8044* | 6479* | 5419  | 4632* | 4014* | 3521* | 3067* | 2681* | 2369* | 2121* |
| - 1.0 m   | FRONT              |  | 12927  | 10568 | 8760  | 7477  | 6522  | 5785  | 5203  | 4752  | 4326  | 3707  |       |
|   |                    |  | 12927  | 10568 | 8760  | 7477  | 6522  | 5785  | 5203  | 4752  | 4326  | 3707  |       |
|   | LATERAL            |  | 12485  | 9307* | 7361* | 6074* | 5155* | 4461* | 3869* | 3371* | 2973* | 2664* |       |
|   |                    |  | 10440* | 7876* | 6314* | 5255* | 4485* | 3897* | 3384* | 2947* | 2597* | 2325* |       |
| - 2.0 m   | FRONT              |  | 13520  | 10753 | 8917  | 7619  | 6670  | 5959  | 5285  | 4569  | 3652  |       |       |
|   |                    |  | 13520  | 10753 | 8917  | 7619  | 6670  | 5959  | 5285  | 4569  | 3652  |       |       |
|   | LATERAL            |  | 12473* | 9169* | 7240* | 5972* | 5065* | 4312* | 3738* | 3291* | 2941* |       |       |
|   |                    |  | 10306* | 7748* | 6198* | 5157* | 4398* | 3752* | 3257* | 2870* | 2565* |       |       |

The specified max. loading capacities in kilograms (kg) include a stability of 25% or are calculated at 87% of the hydraulic lifting power, as per ISO10567. These values are applicable at the tip of the arm with optimum positioning of the corresponding arm system. Weights of attached load carrying accessories (grab, magnet, load hook, etc.) are not included with the load carrying values. \*Value limited due to excavator stability.

# WORK AREAS 150W

**Work Areas** Adjustable Boom, Base arm 1.87 m (C6.41) and Boom 3.62 m (C6.461)



| STICK LENGTHS                                 | 2.15 m (D6.2) | 2.65 m (D6.3) |
|---|---------------|---------------|
| A Max. cut-in height                          | 10.30 meters  | 10.75 meters  |
| B Max. pouring height                         | 6.45 meters   | 7.95 meters   |
| C Max. trench depth                           | 5.35 meters   | 5.96 meters   |
| D Max. vertical tapping depth                 | 4.10 meters   | 4.70 meters   |
| E Max. trench depth with 2.44-metre-wide base | 5.20 meters   | 5.80 meters   |
| F Max. reach                                  | 8.25 meters   | 9.75 meters   |
| G Max. reach in the standing plane            | 8.10 meters   | 9.60 meters   |
| Max. bucket digging force                     | 130 kN        | 130 kN        |
| Max. stick digging force                      | 82 kN         | 72 kN         |

Unit is equipped with standard adjustable boom: base arm 1.87 m (C6.41) and boom 3.62 m (C6.461).



# LIFTING CAPACITIES 150W

## Lifting Capacities Adjustable Boom, Base arm 1.87 m (C6.41) and Boom 3.62 m (C6.461)

### Lifting capacities Adjustable boom: Base arm 1.87 m (C6.41) and boom 3.62 m (C6.461) with stick 2.15 m (D6.2). Max reach 8.70 m

| Height  | Undercarriage type |  | 2.5 m  | 3.0 m | 3.5 m | 4.0 m | 4.5 m | 5.0 m | 5.5 m | 6.0 m | 6.5 m | 7.0 m | 7.5 m |
|---------|--------------------|--|--------|-------|-------|-------|-------|-------|-------|-------|-------|-------|-------|
| + 6.0 m | FRONT              |  |        |       | 5424  | 4989  | 4646  | 4374  | 4155  | 3985  | 3880  |       |       |
|         |                    |  |        |       | 5424  | 4989  | 4646  | 4374  | 4155  | 3985  | 3880  |       |       |
|         | LATERAL            |  |        |       | 5424  | 4989  | 4646  | 4374  | 4112* | 3618* | 3113* |       |       |
|         |                    |  |        |       | 5424  | 4989  | 4646  | 4212* | 3674* | 3198* | 2730* |       |       |
| + 5.0 m | FRONT              |  |        | 6246  | 6035  | 5411  | 4939  | 4571  | 4276  | 4037  | 3842  | 3693  |       |
|         |                    |  |        | 6246  | 6035  | 5411  | 4939  | 4571  | 4276  | 4037  | 3842  | 3693  |       |
|         | LATERAL            |  |        | 6246  | 6035  | 5411  | 4939  | 4571  | 4070* | 3606* | 3203* | 2771* |       |
|         |                    |  |        | 6246  | 6035  | 5411  | 4797  | 4149* | 3640* | 3226* | 2818* | 2427* |       |
| + 4.0 m | FRONT              |  |        | 6038  | 6473  | 6073  | 5396  | 4891  | 4499  | 4185  | 3928  | 3714  | 3533  |
|         |                    |  |        | 6038  | 6473  | 6073  | 5396  | 4891  | 4499  | 4185  | 3928  | 3714  | 3533  |
|         | LATERAL            |  |        | 6038  | 6473  | 6073  | 5246* | 4549  | 4007* | 3564* | 3203* | 2809* | 2446* |
|         |                    |  |        | 6038  | 6473  | 5479* | 4676* | 4069* | 3589* | 3196* | 2845* | 2465* | 2136* |
| + 3.0 m | FRONT              |  |        | 5913  | 6307  | 6344  | 5887  | 5240  | 4748  | 4360  | 4043  | 3777  | 3542  |
|         |                    |  |        | 5913  | 6307  | 6344  | 5887  | 5240  | 4748  | 4360  | 4043  | 3777  | 3541* |
|         | LATERAL            |  |        | 5913  | 6307  | 5979* | 5119  | 4463* | 3944* | 3527* | 3186* | 2803* | 2453* |
|         |                    |  |        | 5913  | 6307  | 5317* | 4566* | 3989* | 3536* | 3168* | 2833* | 2459* | 2142* |
| + 2.0 m | FRONT              |  | 6941   | 7225  | 7110  | 6722  | 6207  | 5490  | 4935  | 4493  | 4129  | 3820  | 3542  |
|         |                    |  | 6941   | 7225  | 7110  | 6722  | 6207  | 5490  | 4935  | 4493  | 4129  | 3820  | 3529* |
|         | LATERAL            |  | 6941   | 7225  | 7069* | 5894* | 5046* | 4405  | 3907* | 3505* | 3168* | 2765* | 2430* |
|         |                    |  | 6941   | 7225  | 6255* | 5243  | 4505* | 3946  | 3505* | 3160* | 2784* | 2421* | 2119* |
| + 1.0 m | FRONT              |  | 7072   | 8254  | 7777  | 7104  | 6242  | 5543  | 4983  | 4523  | 4139  | 3815  | 3551  |
|         |                    |  | 7072   | 8254  | 7777  | 7104  | 6242  | 5543  | 4983  | 4523  | 4139  | 3815  | 3507* |
|         | LATERAL            |  | 7072   | 8254  | 7083* | 5889  | 5038* | 4401* | 3910* | 3536* | 3088* | 2704* | 2388* |
|         |                    |  | 7072   | 7776* | 6261* | 5239  | 4497* | 3948* | 3521* | 3126* | 2706* | 2362* | 2078* |
| + 0 m   | FRONT              |  | 9149   | 9544  | 8393  | 7186  | 6262  | 5552  | 4988  | 4529  | 4153  | 3861  | 3394  |
|         |                    |  | 9149   | 9544  | 8393  | 7186  | 6262  | 5552  | 4988  | 4529  | 4153  | 3861  | 3394  |
|         | LATERAL            |  | 9149   | 9003  | 7156* | 5942* | 5085  | 4453* | 3915* | 3430* | 2992* | 2635* | 2351* |
|         |                    |  | 9149   | 7753* | 6251* | 5224* | 4471* | 3891* | 3426* | 3002* | 2613* | 2295* | 2043* |
| - 1.0 m | FRONT              |  | 12517  | 10317 | 8533  | 7270  | 6333  | 5614  | 5048  | 4616  | 4221  | 3640  |       |
|         |                    |  | 12517  | 10317 | 8533  | 7270  | 6333  | 5614  | 5048  | 4616  | 4221  | 3640  |       |
|         | LATERAL            |  | 12227* | 9014* | 7138* | 5902* | 5020* | 4356* | 3803* | 3303* | 2899* | 2584* |       |
|         |                    |  | 10070* | 7594* | 6095* | 5084* | 4351* | 3791* | 3316* | 2878* | 2522* | 2245* |       |
| - 2.0 m | FRONT              |  | 13226  | 10509 | 8706  | 7430  | 6495  | 5817  | 5171  | 4489  | 3632  |       |       |
|         |                    |  | 13226  | 10509 | 8706  | 7430  | 6495  | 5817  | 5171  | 4489  | 3632  |       |       |
|         | LATERAL            |  | 12199* | 8958* | 7073* | 5839* | 4968* | 4245* | 3664* | 3214* | 2861* |       |       |
|         |                    |  | 10045* | 7542* | 6034* | 5024* | 4301* | 3684* | 3181* | 2791* | 2485* |       |       |

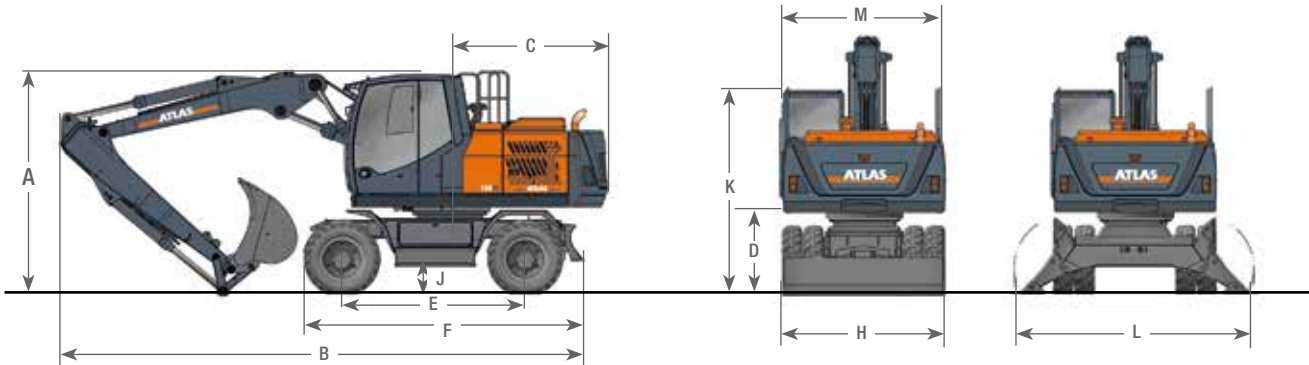
### Lifting capacities Adjustable boom: Base arm 1.87 m (C6.41) and boom 3.62 m (C6.461) with stick 2.65 m (D6.3). Max reach 9.20 m

| Height  | Undercarriage type |  | 2.5 m  | 3.0 m | 3.5 m | 4.0 m | 4.5 m | 5.0 m | 5.5 m | 6.0 m | 6.5 m | 7.0 m | 7.5 m | 8.0 m |
|---------|--------------------|--|--------|-------|-------|-------|-------|-------|-------|-------|-------|-------|-------|-------|
| + 5.0 m | FRONT              |  |        |       | 4489  | 4774  | 4595  | 4283  | 4027  | 3815  | 3638  | 3491  | 3373  |       |
|         |                    |  |        |       | 4489  | 4774  | 4595  | 4283  | 4027  | 3815  | 3638  | 3491  | 3373  |       |
|         | LATERAL            |  |        |       | 4489  | 4774  | 4595  | 4283  | 4027  | 3620* | 3231* | 2885* | 2511* |       |
|         |                    |  |        |       | 4489  | 4774  | 4595  | 4183* | 3662* | 3241* | 2894* | 2540* | 2198* |       |
| + 4.0 m | FRONT              |  |        | 6276  | 6412  | 5630  | 5057  | 4618  | 4270  | 3989  | 3755  | 3558  | 3390  | 2778  |
|         |                    |  |        | 6276  | 6412  | 5630  | 5057  | 4618  | 4270  | 3989  | 3755  | 3558  | 3390  | 2778  |
|         | LATERAL            |  |        | 6276  | 6412  | 5630  | 5057  | 4567* | 4011* | 3567* | 3199* | 2891* | 2543* | 2223* |
|         |                    |  |        | 6276  | 6412  | 5536* | 4712* | 4086* | 3592* | 3194* | 2869* | 2563* | 2229* | 1938* |
| + 3.0 m | FRONT              |  |        | 6044  | 6417  | 6376  | 5584  | 5000  | 4551  | 4193  | 3900  | 3655  | 3442  | 3248  |
|         |                    |  |        | 6044  | 6417  | 6376  | 5584  | 5000  | 4551  | 4193  | 3900  | 3655  | 3442  | 3232  |
|         | LATERAL            |  |        | 6044  | 6417  | 6002* | 5126* | 4458* | 3931* | 3509* | 3162* | 2874* | 2537* | 2228* |
|         |                    |  |        | 6044  | 6376* | 5338* | 4569* | 3986* | 3521* | 3149* | 2841* | 2552* | 2224* | 1943* |
| + 2.0 m | FRONT              |  | 7134   | 7311  | 7080  | 6737  | 6007  | 5320  | 4790  | 4370  | 4026  | 3737  | 3484  | 3249  |
|         |                    |  | 7134   | 7311  | 7080  | 6737  | 6007  | 5320  | 4790  | 4370  | 4026  | 3737  | 3484  | 3221* |
|         | LATERAL            |  | 7134   | 7311  | 7025* | 5862* | 5019* | 4374* | 3871* | 3469* | 3138* | 2854* | 2501* | 2206* |
|         |                    |  | 7134   | 7311  | 6222* | 5216* | 4479* | 3917* | 3473* | 3115* | 2829* | 2508* | 2189* | 1921* |
| + 1.0 m | FRONT              |  | 8017   | 7926  | 7571  | 7008  | 6172  | 5472  | 4914  | 4461  | 4084  | 3762  | 3483  | 3250  |
|         |                    |  | 8017   | 7926  | 7571  | 7008  | 6172  | 5472  | 4914  | 4461  | 4084  | 3762  | 3476  | 3183* |
|         | LATERAL            |  | 8017   | 7926  | 6995* | 5814* | 4977  | 4344* | 3849* | 3462* | 3155* | 2782* | 2446* | 2167* |
|         |                    |  | 8017   | 7662* | 6177* | 5167* | 4442* | 3890* | 3459* | 3117* | 2804* | 2437* | 2134* | 1883* |
| + 0 m   | FRONT              |  | 9306   | 9015  | 8143  | 7067  | 6166  | 5468  | 4912  | 4457  | 4079  | 3762  | 3512  | 3123  |
|         |                    |  | 9306   | 9015  | 8143  | 7067  | 6166  | 5468  | 4912  | 4457  | 4079  | 3762  | 3498* | 3123  |
|         | LATERAL            |  | 9306   | 8834  | 7037  | 5841* | 4992* | 4364* | 3881  | 3490* | 3073* | 2692* | 2381* | 2131* |
|         |                    |  | 9306   | 7736  | 6220* | 5197* | 4465  | 3915* | 3445* | 3058* | 2690* | 2349* | 2071* | 1848* |
| - 1.0 m | FRONT              |  | 11528  | 9990  | 8366  | 7131  | 6213  | 5505  | 4944  | 4490  | 4124  | 3831  | 3377  |       |
|         |                    |  | 11528  | 9990  | 8366  | 7131  | 6213  | 5505  | 4944  | 4490  | 4124  | 3831  | 3377  |       |
|         | LATERAL            |  | 11528  | 8978* | 7145* | 5908* | 5023* | 4356* | 3832* | 3378* | 2952* | 2606* | 2330* |       |
|         |                    |  | 10054* | 7594* | 6100* | 5088* | 4352* | 3790* | 3343* | 2950* | 2572* | 2265* | 2020* |       |
| - 2.0 m | FRONT              |  | 12904  | 10279 | 8510  | 7255  | 6323  | 5610  | 5070  | 4632  | 4131  | 3457  |       |       |
|         |                    |  | 12904  | 10279 | 8510  | 7255  | 6323  | 5610  | 5070  | 4632  | 4131  | 3457  |       |       |
|         | LATERAL            |  | 12109* | 8901* | 7032* | 5804* | 4934* | 4283* | 3719* | 3239* | 2860* | 2556* |       |       |
|         |                    |  | 9958*  | 7486* | 5992* | 4989* | 4266* | 3719* | 3233* | 2814* | 2482* | 2216* |       |       |
| - 3.0 m | FRONT              |  | 13292  | 10597 | 8806  | 7554  | 6583  | 5735  | 4940  | 4102  | 3030  |       |       |       |
|         |                    |  | 13292  | 10597 | 8806  | 7554  | 6583  | 5735  | 4940  | 4102  | 3030  |       |       |       |
|         | LATERAL            |  | 12148* | 8908* | 7025* | 5798* | 4875* | 4158* | 3607* | 3176* | 2839* |       |       |       |
|         |                    |  | 9994*  | 7492* | 5986* | 4983* | 4209* | 3598* | 3124* | 2753* | 2461* |       |       |       |

The specified max. loading capacities in kilogrammes (kg) include a stability of 25% or are calculated at 87% of the hydraulic lifting power, as per ISO10567. These values are applicable at the tip of the arm with optimum positioning of the corresponding arm system. Weights of attached load carrying accessories (grab, magnet, load hook, etc.) are not included with the load carrying values. \*Value limited due to excavator stability.

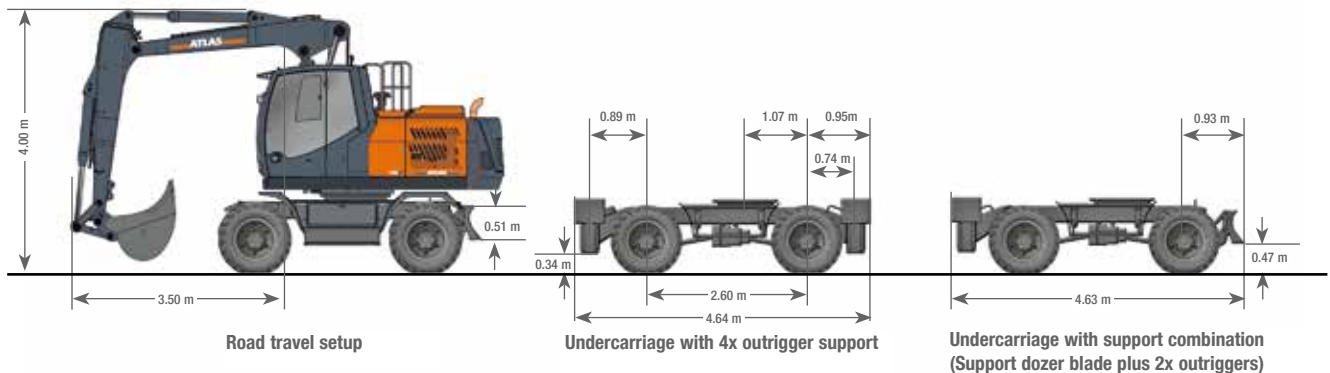
# DIMENSIONS 150W

## Dimensions



|   |             |  |  |
|---|-------------|--|--|
| <b>A TRANSPORT HEIGHT (with bucket)</b> |             | <b>C TAIL SWING RADIUS</b> .....2.24 m               |  |
| Adjustable boom* with stick 2.15 m      | .....3.15 m | <b>D CLEARANCE UNDER COUNTERWEIGHT</b> .....1.27 m   |  |
| Adjustable boom* with stick 2.65 m      | .....3.15 m | <b>E WHEEL BASE</b> .....2.60 m                      |  |
| Monoblock boom 4.32 m with stick 2.15 m | .....3.15 m | <b>F UNDERCARRIAGE LENGTH</b> .....4.08 m            |  |
| Monoblock boom 4.32 m with stick 2.65 m | .....3.15 m | <b>H DOZER BLADE WIDTH</b> .....2.54 m               |  |
| <b>B TRANSPORT LENGTH</b>               |             | <b>J GROUND CLEARANCE</b> .....0.45 m                |  |
| Adjustable boom* with stick 2.15 m      | .....7.76 m | <b>K OVERALL HEIGHT OF CAB</b> .....3.15 m           |  |
| Adjustable boom* with stick 2.65 m      | .....8.90 m | <b>L OUTRIGGERS WIDTH (extended)</b> .....3.50 m     |  |
| Monoblock boom 4.32 m with stick 2.15 m | .....7.60 m | <b>M OVERALL WIDTH OF SUPERSTRUCTURE</b> .....2.49 m |  |
| Monoblock boom 4.32 m with stick 2.65 m | .....7.60 m |  |  |

\* Adjustable boom: Base arm 1.87 m (C6.41) and boom 3.10 m (C6.46)



## WERK GANDERKESEE

Atlas GmbH  
Atlasstraße 6  
D-27777 Ganderkesee,  
Germany

Tel.: +49 (0) 4222 954 0  
Fax: +49 (0) 4222 954 220  
E-mail: [info@atlasgmbh.com](mailto:info@atlasgmbh.com)  
[www.atlasgmbh.com](http://www.atlasgmbh.com)



## WERK VECHTA

Atlas GmbH  
Theodor-Heuss-Str. 3  
D-49377 Vechta  
Germany

T: +49 (0) 4441 954 0  
F: +49 (0) 4441 954 299  
E-mail: [info@atlasgmbh.com](mailto:info@atlasgmbh.com)  
[www.atlasgmbh.com](http://www.atlasgmbh.com)



## WERK DELMENHORST

Atlas GmbH  
Stedinger Straße 324  
D-27751 Delmenhorst  
Germany

T: +49 (0) 4221 49 10  
F: +49 (0) 4221 49 14 43  
E-mail: [info@atlasgmbh.com](mailto:info@atlasgmbh.com)  
[www.atlasgmbh.com](http://www.atlasgmbh.com)

## ATLAS CRANES UK LTD

**LADEKRANE**  
Wharfedale Road,  
Euroway Trading Est.  
Bradford, England BD4 6SL  
United Kingdom

T: +44 8444 99 66 88  
F: +44 1274 65 37 85  
E-mail: [atlasuk@atlasgmbh.com](mailto:atlasuk@atlasgmbh.com)  
[www.atlas-cranes.co.uk](http://www.atlas-cranes.co.uk)  
[www.atlasgmbh.com](http://www.atlasgmbh.com)



**ATLAS** SINCE 1919 **Wheeled Excavator**  
**150W**



[www.atlasgmbh.com](http://www.atlasgmbh.com)

**ATLAS GmbH**  
EXCAVATORS  
Atlasstraße 6  
D-27777 Ganderkesee, Germany  
T: +49 (0) 4222 954 0  
Fax: +49 (0) 4222 954 220  
[info@atlasgmbh.com](mailto:info@atlasgmbh.com)